

SÄHKÖLUKKO NG

NG2D1D411A-F31
Sähkölukko NG



- OSSD turvaostulot
- Pitovoima 9750 N
- RFID-anturi
- Metallirunko
- Integroidut ohjauskalusteet



TUOTEKUVAUS

Pizzato NG-sähkölukko RFID-anturilla

Kestävärakenteinen ja kompakti sähkölukko monilla edistyksellisillä ominaisuuksilla:

- Solenoidlukitus
- Pitovoima 9750 N
- Kosketukseton RFID-anturi
- SIL 3, PL e
- Painonapeilla tai ilman
- Metallirunko
- M20 läpivienti tai M12- / M23-liitin
- IP67 (EN 60529) / IP69K (ISO 20653) / IP65 (EN 60529, painonapeilla varustetut mallit)
- Optiona hätäulospainike ja vapautusavain
- LED-merkkivalot
- Toimipään tulosuunta käännettävissä
- PL e myös sarjaankytkettynä (max. 32 laitetta)

TEKNISET TIEDOT

TIEDOT

Min. käyttölämpötila	-20 °C
Max. käyttölämpötila	50 °C

SYÖTTÖ

Syöttöjännite	24 Vdc
---------------	--------

SISÄÄNTULOT JA ULOSTULOT

Turvaulostulot	2x OSSD
Signaaliulostulot	2x PNP

KOTELO

Min. käyttölämpötila	-20 °C
Max. käyttölämpötila	50 °C
IP-luokka	IP67, IP69K
Lukitus	sähköllä avattava

TURVA-ARVOT JA HYVÄKSYNNÄT

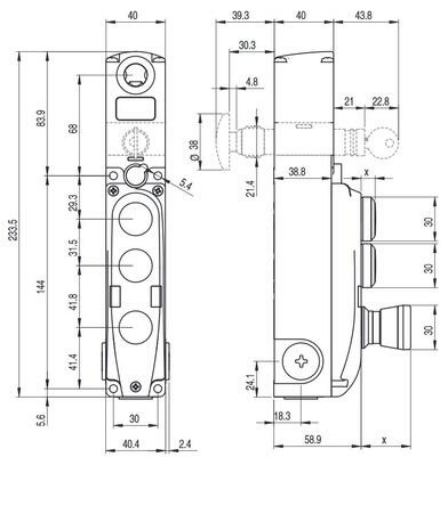
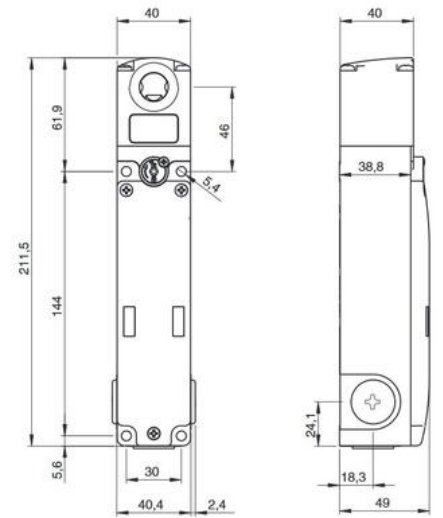
PL	e
SIL	3
IP-luokka	IP67, IP69K

Pin assignments (version with standard cover NG 2D*1A)**

Internal terminal strip	M12 connector 12 pins	M12 connector 8 pins	M12 connector 8 pins with 2-pin connection	Connection
A1	3	3	3	A2 Supply input VV
A2	3	3	3	B2 VV auxiliary supply output
A3	30	30	8	B4 Selected activation input for single channel mode S1
A4	5	2	7	O3 Signaling output, actuator internal and locked set
A5	6	5	2	O4 Signaling output, actuator internal and locked set
A6	8	8	5	O8 Actuator programming input / reset
A7	10	8	7	B1 Selected activation input for double channel mode
A8	10	10	7	B2 Selected activation input for double channel mode
A9	1	1	1	A1 Supply input $+24\text{V}$
A10	1	1	1	B1 Auxiliary supply output $+24\text{V}$, E.A. max.
A11	2	2	2	B2 Safety input
A12	4	4	4	B3 SSM input
A13	6	6	6	B4 Safety input
A14	8	8	8	O3 Safety output
A15	10	10	10	O4 Safety output
A16	1	1	1	O5 Safety output
A17	2	2	2	O6 Safety output

Important: terminals 1, 11, 16, of the internal terminal strip must not be used for auxiliary NG 2D*** version only.
 16 for NG 2D***: The internal signal for the fault condition of the device.
 11 for NG 2D***: The internal signal for the fault condition of the device.
 16 for NG 2D***: The internal signal for the fault condition of the device.
 11 for NG 2D***: The internal signal for the fault condition of the device.
 16 for NG 2D***: The internal signal for the fault condition of the device.
 11 for NG 2D***: The internal signal for the fault condition of the device.

Female connectors: See page 618



Internal connections (version with integrated control devices)

Terminal	Connection	NG 2D***-1C	NG 2D***-1E	NG 2D***-1G
1	A2 Supply input VV	NG 2D***-1C	NG 2D***-1E	NG 2D***-1G
2	B2 VV auxiliary supply output	NG 2D***-1C	NG 2D***-1E	NG 2D***-1G
3	B4 Selected activation input for single channel mode S1	NG 2D***-1C	NG 2D***-1E	NG 2D***-1G
4	O3 Signaling output, actuator internal and locked set	NG 2D***-1C	NG 2D***-1E	NG 2D***-1G
5	O4 Signaling output, actuator internal and locked set	NG 2D***-1C	NG 2D***-1E	NG 2D***-1G
6	O8 Actuator programming input / reset	NG 2D***-1C	NG 2D***-1E	NG 2D***-1G
7	B1 Selected activation input for double channel mode	NG 2D***-1C	NG 2D***-1E	NG 2D***-1G
8	B2 Selected activation input for double channel mode	NG 2D***-1C	NG 2D***-1E	NG 2D***-1G
9	A1 Supply input $+24\text{V}$	NG 2D***-1C	NG 2D***-1E	NG 2D***-1G
10	B1 Auxiliary supply output $+24\text{V}$, 13.8 A max.	NG 2D***-1C	NG 2D***-1E	NG 2D***-1G
11	B2 Safety input	NG 2D***-1C	NG 2D***-1E	NG 2D***-1G
12	B3 SSM input	NG 2D***-1C	NG 2D***-1E	NG 2D***-1G
13	B4 Safety input	NG 2D***-1C	NG 2D***-1E	NG 2D***-1G
14	O3 Safety output	NG 2D***-1C	NG 2D***-1E	NG 2D***-1G
15	O4 Safety output	NG 2D***-1C	NG 2D***-1E	NG 2D***-1G
16	O5 Safety output	NG 2D***-1C	NG 2D***-1E	NG 2D***-1G
17	O6 Safety output	NG 2D***-1C	NG 2D***-1E	NG 2D***-1G

Important: terminals 1, 11, 16, of the internal terminal strip must not be used for auxiliary NG 2D*** version only.
 16 for NG 2D***: The internal signal for the fault condition of the device.
 11 for NG 2D***: The internal signal for the fault condition of the device.
 16 for NG 2D***: The internal signal for the fault condition of the device.
 11 for NG 2D***: The internal signal for the fault condition of the device.

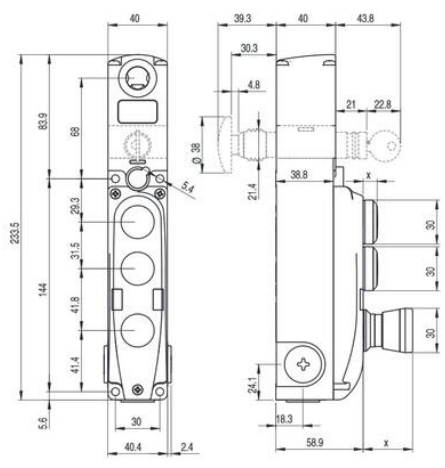
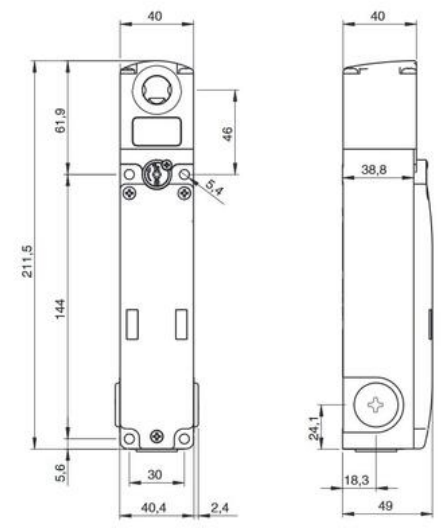
Female connectors: See page 618

Pin assignments (version with standard cover NG 2D*1A)**

Internal terminal strip	M12 connector 12 pins	M12 connector 8 pins	M12 connector 8 pins with 2-pin connection	Connection
A1	3	3	3	A2 Supply input VV
A2	3	3	3	B2 VV auxiliary supply output
A3	30	30	8	B4 Selected activation input for single channel mode S1
A4	5	2	7	O3 Signaling output, actuator internal and locked set
A5	6	5	2	O4 Signaling output, actuator internal and locked set
A6	8	8	5	O8 Actuator programming input / reset
A7	10	8	7	B1 Selected activation input for double channel mode
A8	10	10	7	B2 Selected activation input for double channel mode
A9	1	1	1	A1 Supply input $+24\text{V}$
A10	1	1	1	B1 Auxiliary supply output $+24\text{V}$, E.A. max.
A11	2	2	2	B2 Safety input
A12	4	4	4	B3 SSM input
A13	6	6	6	B4 Safety input
A14	8	8	8	O3 Safety output
A15	10	10	10	O4 Safety output
A16	1	1	1	O5 Safety output
A17	2	2	2	O6 Safety output

Important: terminals 1, 11, 16, of the internal terminal strip must not be used for auxiliary NG 2D*** version only.
 16 for NG 2D***: The internal signal for the fault condition of the device.
 11 for NG 2D***: The internal signal for the fault condition of the device.
 16 for NG 2D***: The internal signal for the fault condition of the device.
 11 for NG 2D***: The internal signal for the fault condition of the device.

Female connectors: See page 618



Internal connections (version with integrated control devices)

Terminal	Connection	NG 2D***-1C	NG 2D***-1E	NG 2D***-1G
1	A2 Supply input VV	NG 2D***-1C	NG 2D***-1E	NG 2D***-1G
2	B2 VV auxiliary supply output	NG 2D***-1C	NG 2D***-1E	NG 2D***-1G
3	B4 Selected activation input for single channel mode S1	NG 2D***-1C	NG 2D***-1E	NG 2D***-1G
4	O3 Signaling output, actuator internal and locked set	NG 2D***-1C	NG 2D***-1E	NG 2D***-1G
5	O4 Signaling output, actuator internal and locked set	NG 2D***-1C	NG 2D***-1E	NG 2D***-1G
6	O8 Actuator programming input / reset	NG 2D***-1C	NG 2D***-1E	NG 2D***-1G
7	B1 Selected activation input for double channel mode	NG 2D***-1C	NG 2D***-1E	NG 2D***-1G
8	B2 Selected activation input for double channel mode	NG 2D***-1C	NG 2D***-1E	NG 2D***-1G
9	A1 Supply input $+24\text{V}$	NG 2D***-1C	NG 2D***-1E	NG 2D***-1G
10	B1 Auxiliary supply output $+24\text{V}$, 13.8 A max.	NG 2D***-1C	NG 2D***-1E	NG 2D***-1G
11	B2 Safety input	NG 2D***-1C	NG 2D***-1E	NG 2D***-1G
12	B3 SSM input	NG 2D***-1C	NG 2D***-1E	NG 2D***-1G
13	B4 Safety input	NG 2D***-1C	NG 2D***-1E	NG 2D***-1G
14	O3 Safety output	NG 2D***-1C	NG 2D***-1E	NG 2D***-1G
15	O4 Safety output	NG 2D***-1C	NG 2D***-1E	NG 2D***-1G
16	O5 Safety output	NG 2D***-1C	NG 2D***-1E	NG 2D***-1G
17	O6 Safety output	NG 2D***-1C	NG 2D***-1E	NG 2D***-1G

Important: terminals 1, 11, 16, of the internal terminal strip must not be used for auxiliary NG 2D*** version only.
 16 for NG 2D***: The internal signal for the fault condition of the device.
 11 for NG 2D***: The internal signal for the fault condition of the device.
 16 for NG 2D***: The internal signal for the fault condition of the device.
 11 for NG 2D***: The internal signal for the fault condition of the device.

Female connectors: See page 618