



OHJAUSLAITTEET SÄHKÖLUKOILLE

BNAC3ZA02

Painonappikotelo, valk, sin, hs, M12

- 3-8 ohjauslaitetta valittavissa vapaasti: Painonapit, merkkivalot, valintakytkimet, hätäseis
- Helppo ja nopea asennus
- Kompakti koko (40x40 mm)
- M12 tai M23 liitin

TUOTEKUVAUS

TEKNISET TIEDOT

TIEDOT

Min. käyttölämpötila	-25 °C
Max. käyttölämpötila	70 °C

KOTELO

Min. käyttölämpötila	-25 °C
Max. käyttölämpötila	70 °C
IP-luokka	IP65

TURVA-ARVOT JA HYVÄKSYNNÄT

IP-luokka	IP65
-----------	------

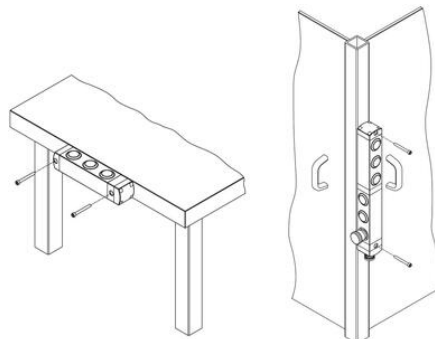
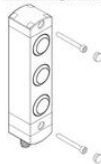
Turnable and non-detachable modules

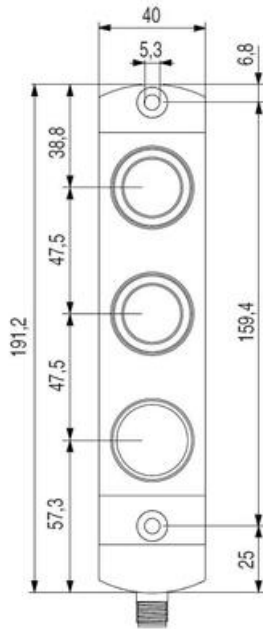
During installation, the firing modules can be turned on the top and bottom of the device to enable variable orientation of the control devices.
Operation is very simple: after loosening the firing screws, the device body can be turned in steps of 90° and fixed in the desired position. Another advantage for the installer is that the firing modules cannot be detached from the device body. Disassembly of the individual parts is not necessary and there is no risk of losing parts or reassembling incorrectly.



Protection against tampering

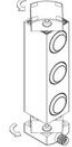
Each control device unit of the BPI series is supplied complete with anti-tamper protection caps to be applied on the holes of the firing screws. Not only do the caps prevent deposits of dirt from accumulating and simplify cleaning, they also prevent access to the firing screws of the device, thereby offering increased protection against tampering.





Turnable and non-detachable modules

During installation, the firing modules can be turned on the top and bottom of the device to enable variable orientation of the control devices. Operation is very simple: after loosening the firing screws, the device body can be turned in steps of 90° and fixed in the desired position. Another advantage for the installer is that the firing modules cannot be detached from the device body. Disassembly of the individual parts is not necessary and there is no risk of losing parts or reassembling incorrectly.



Protection against tampering

Each control device unit of the BPI series is supplied complete with tamper protection caps to be applied on the holes of the firing screws. Not only do the caps prevent deposits of dirt from accumulating and simplify cleaning, they also prevent access to the firing screws of the device, thereby offering increased protection against tampering.

