



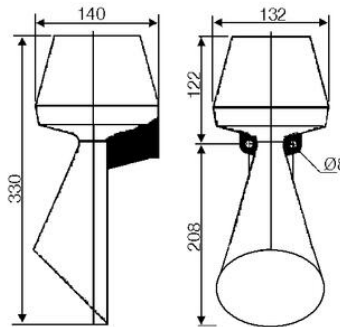
# TEKNISET TIEDOT

Asennus	Vertikaalinen
IP-luokka	IP55
Johdinkoko	2,5 mm <sup>2</sup>
Kaapelin läpivienti	7-10 mm
Kotelon väri	Harmaa RAL 7035
Max. käyttölämpötila	50 °C
Max. nimellisvirta	0,6 A
Max. syöttöjännite DC	26,4 V DC
Max. äänenpaine	108 dB
Min. käyttölämpötila	-20 °C
Min. nimellisvirta	0,6 A
Min. syöttöjännite DC	21,6 V DC
Min. äänenpaine	108 dB
Paino	800 g
Syöttöjännite	24 V DC
Äänien määrä	1 kpl

The sound pressure decreases by 6 dB when doubling the distance, the following distance table is to be seen as indication, as also factors like tone type, wind speed, wind direction, humidity, weather conditions etc. do influence the sound pressure level.

Distance (m)	65	70	75	80	85	90	92	94	96	98	100	102	104	106	108	110	112	114	116	118	120
1	59	64	69	74	79	84	86	88	90	92	94	96	98	100	102	104	106	108	110	112	114
2	55	60	65	70	75	80	82	84	86	88	90	92	94	96	98	100	102	104	106	108	110
3	51	56	61	66	71	76	78	80	82	84	86	88	90	92	94	96	98	100	102	104	106
5	45	50	55	60	65	70	72	74	76	78	80	82	84	86	88	90	92	94	96	98	100
10	39	44	49	54	59	64	66	68	70	72	74	76	78	80	82	84	86	88	90	92	94
20	35	40	45	50	55	60	62	64	66	68	70	72	74	76	78	80	82	84	86	88	90
30	33	38	43	48	53	58	60	62	64	66	68	70	72	74	76	78	80	82	84	86	88
50	30	35	40	45	50	55	57	59	61	63	65	67	69	71	73	75	77	79	81	83	85
100	27	32	37	42	47	52	54	56	58	60	62	64	66	68	70	72	74	76	78	80	82
200	25	30	35	40	45	50	52	54	56	58	60	62	64	66	68	70	72	74	76	78	80
500	22	27	32	37	42	47	49	51	53	55	57	59	61	63	65	67	69	71	73	75	77

The sound pressure decreases by 6 dB when doubling the distance



The sound pressure decreases by 6 dB when doubling the distance, the following distance table is to be seen as indication, as also factors like tone type, wind speed, wind direction, humidity, weather conditions etc. do influence the sound pressure level.

Distance (m)	65	70	75	80	85	90	92	94	96	98	100	102	104	106	108	110	112	114	116	118	120
1	59	64	69	74	79	84	86	88	90	92	94	96	98	100	102	104	106	108	110	112	114
2	55	60	65	70	75	80	82	84	86	88	90	92	94	96	98	100	102	104	106	108	110
3	51	56	61	66	71	76	78	80	82	84	86	88	90	92	94	96	98	100	102	104	106
5	45	50	55	60	65	70	72	74	76	78	80	82	84	86	88	90	92	94	96	98	100
10	39	44	49	54	59	64	66	68	70	72	74	76	78	80	82	84	86	88	90	92	94
20	35	40	45	50	55	60	62	64	66	68	70	72	74	76	78	80	82	84	86	88	90
30	33	38	43	48	53	58	60	62	64	66	68	70	72	74	76	78	80	82	84	86	88
50	30	35	40	45	50	55	57	59	61	63	65	67	69	71	73	75	77	79	81	83	85
100	27	32	37	42	47	52	54	56	58	60	62	64	66	68	70	72	74	76	78	80	82
200	25	30	35	40	45	50	52	54	56	58	60	62	64	66	68	70	72	74	76	78	80
500	22	27	32	37	42	47	49	51	53	55	57	59	61	63	65	67	69	71	73	75	77

The sound pressure decreases by 6 dB when doubling the distance

