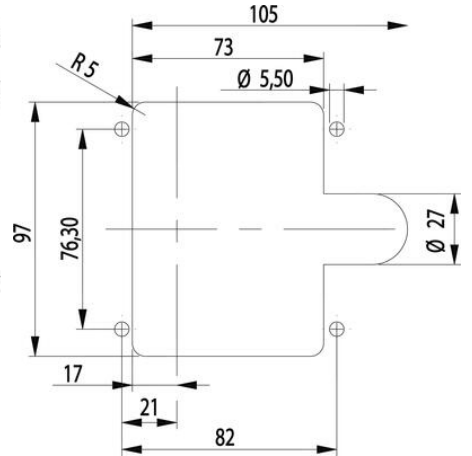
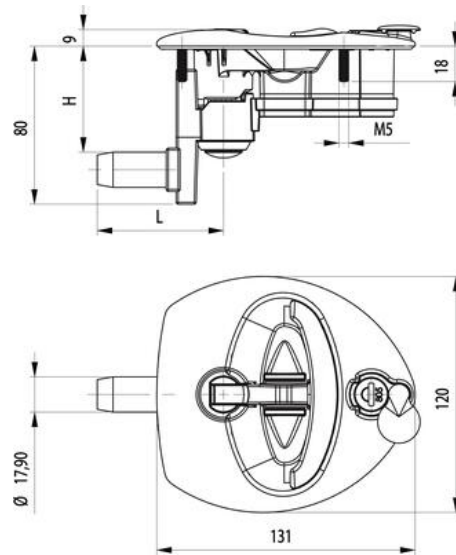
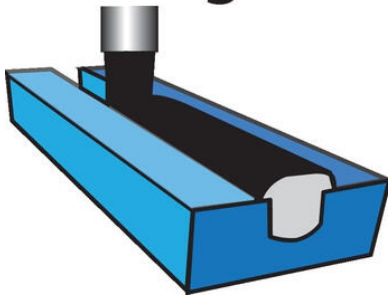
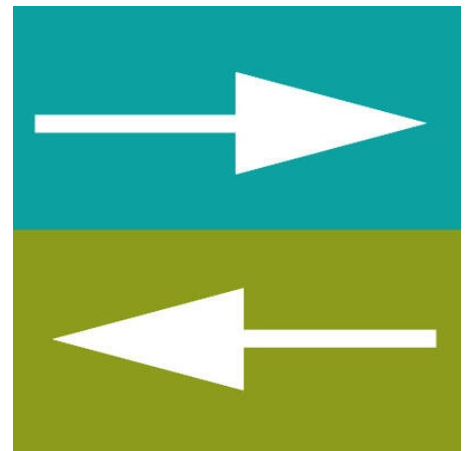


### Integrated PUR-gasket



DIN EN 61373 FOR VECTOR TERMINAL (AAAKA-BELOW)						
AAAKA	Standard	Material	Ø	Length	Weight	Case
AAAKA1	200mm	Alu	Ø 17,90	131	120	Alu
AAAKA2	200mm	Alu	Ø 17,90	131	120	Alu
AAAKA3	200mm	Alu	Ø 17,90	131	120	Alu
AAAKA4	200mm	Alu	Ø 17,90	131	120	Alu
AAAKA5	200mm	Alu	Ø 17,90	131	120	Alu
AAAKA6	200mm	Alu	Ø 17,90	131	120	Alu
AAAKA7	200mm	Alu	Ø 17,90	131	120	Alu
AAAKA8	200mm	Alu	Ø 17,90	131	120	Alu
AAAKA9	200mm	Alu	Ø 17,90	131	120	Alu
AAAKA10	200mm	Alu	Ø 17,90	131	120	Alu





**Integrated  
PUR-gasket**

