

HYDRA-CELL KALVOPUMPUT P400

Annostelupumppu

P400MSESSC10S
Kalvopumppu P400



- Virtaus 3 - 900 l/h
- Paine max. 103 bar
- Muovi- ja metallirakenne
- Tiivisteetön rakenne

TUOTEKUVAUS

Hydra-Cell Metering Solutions P500 -pumpeissa käytetään kolmea kalvoa yhdessä pumppupäässä. Tämän ainutlaatuisen rakenteen ansiosta Hydra-Cell tuottaa käytännössä "pulsittoman" virtauksen ilman että, on tarvetta käyttää kalliita pulsaationvaimentimia.

TEKNISET TIEDOT

1098_Particle size (mm)	Max. 0,5mm
Akselimitta	Ontto akseli 24 mm
Hydrauliöljyn määrä	1,05 l
Jousipidikkeen materiaali	Hastelloy C
Kalvon materiaali	EPDM
Liitännän sisääntulo	BSPT 1"
Liitännän ulostulo	BSPT 3/4"
Max. järjestelmän paine	17 bar
Max. käyttölämpötila	120 °C
Max. paine	69 bar
Max. virtaus	228 l/h
Max. viskositeetti	3000 cP
Paino	30 kg
Pohjalevyn materiaali	SS 316L
Pumpun materiaali	SS 316L
Pyörimissuunta	Valinnainen
Venttiilien materiaali	Nitronic 50
Venttiin istukan materiaali	SS 316L

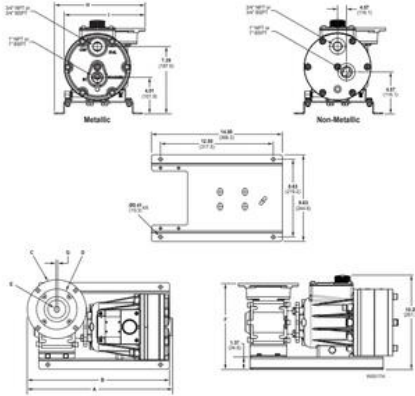
Venttiin jousen materiaali

Elgiloy

Välityssuhde

10:1 - IEC 90-B5

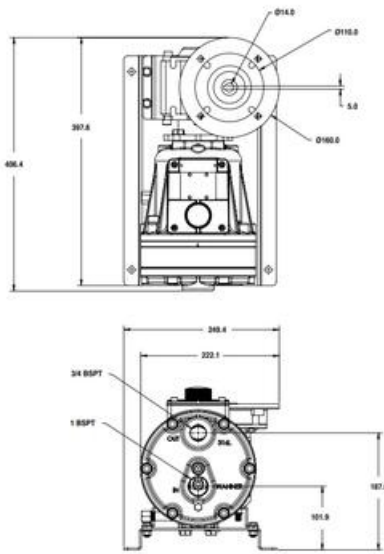
P400 Models: Metallic and Non-Metallic



Dimensions in Inches (Millimeters)

Input Frame Size	A	B	C	D	E	F	G (Diaphragm Pad)	H	I
NEHA	16.125 (413)	17.25 (438)	17.75 (451)	18.5 (469)	19.25 (491)	20.0 (508)	0.125 (3.2)	0.125 (3.2)	0.125 (3.2)
NEHA 7405 TC	16.125 (413)	17.25 (438)	17.75 (451)	18.5 (469)	19.25 (491)	20.0 (508)	0.125 (3.2)	0.125 (3.2)	0.125 (3.2)
NEC 45 B5	16.125 (413)	17.25 (438)	17.75 (451)	18.5 (469)	19.25 (491)	20.0 (508)	0.125 (3.2)	0.125 (3.2)	0.125 (3.2)
NEC 75 B5	16.125 (413)	17.25 (438)	17.75 (451)	18.5 (469)	19.25 (491)	20.0 (508)	0.125 (3.2)	0.125 (3.2)	0.125 (3.2)
NEC 80 B5	16.125 (413)	17.25 (438)	17.75 (451)	18.5 (469)	19.25 (491)	20.0 (508)	0.125 (3.2)	0.125 (3.2)	0.125 (3.2)
NEC 90 B5	16.125 (413)	17.25 (438)	17.75 (451)	18.5 (469)	19.25 (491)	20.0 (508)	0.125 (3.2)	0.125 (3.2)	0.125 (3.2)
NEC 100 B5	16.125 (413)	17.25 (438)	17.75 (451)	18.5 (469)	19.25 (491)	20.0 (508)	0.125 (3.2)	0.125 (3.2)	0.125 (3.2)

Representative Drawings (mm) Metallic Pump Heads



Performance - Flow Capacities and Pressure Ratings

For Synchronous Speed, Self-cooled Motors
Ltr/Max Flow at Designated Pressure

Ltr/Max Flow	1.1 Bar	1.5 Bar	2.0 Bar	2.5 Bar	3.0 Bar	3.5 Bar	4.0 Bar	4.5 Bar	5.0 Bar
NEHA	25.0	20.0	15.0	10.0	7.5	6.0	5.0	4.0	3.0
NEHA 7405 TC	25.0	20.0	15.0	10.0	7.5	6.0	5.0	4.0	3.0
NEC 45 B5	25.0	20.0	15.0	10.0	7.5	6.0	5.0	4.0	3.0
NEC 75 B5	25.0	20.0	15.0	10.0	7.5	6.0	5.0	4.0	3.0
NEC 80 B5	25.0	20.0	15.0	10.0	7.5	6.0	5.0	4.0	3.0
NEC 90 B5	25.0	20.0	15.0	10.0	7.5	6.0	5.0	4.0	3.0
NEC 100 B5	25.0	20.0	15.0	10.0	7.5	6.0	5.0	4.0	3.0

For 10:1 Turndown, Self-cooled Motors
Ltr/Max Flow at Designated Pressure

Ltr/Max Flow	1.1 Bar	1.5 Bar	2.0 Bar	2.5 Bar	3.0 Bar	3.5 Bar	4.0 Bar	4.5 Bar	5.0 Bar
NEHA	25.0	20.0	15.0	10.0	7.5	6.0	5.0	4.0	3.0
NEHA 7405 TC	25.0	20.0	15.0	10.0	7.5	6.0	5.0	4.0	3.0
NEC 45 B5	25.0	20.0	15.0	10.0	7.5	6.0	5.0	4.0	3.0
NEC 75 B5	25.0	20.0	15.0	10.0	7.5	6.0	5.0	4.0	3.0
NEC 80 B5	25.0	20.0	15.0	10.0	7.5	6.0	5.0	4.0	3.0
NEC 90 B5	25.0	20.0	15.0	10.0	7.5	6.0	5.0	4.0	3.0
NEC 100 B5	25.0	20.0	15.0	10.0	7.5	6.0	5.0	4.0	3.0

Notes:
1. Max motor RPM based on ambient temperature conditions up to 40°C. For ambient temperatures above 40°C, please contact Western International.
2. Capacity data is shown for pumps with elastomeric diaphragms. Contact factory for performance characteristics of pumps with PTFE diaphragms.
3. Contact factory for performance specifications.
4. Based on using 50 motor.
5. Maximum continuous motor speed is 10% over at full pressure.
6. For information on industrial pressure ratings, please contact Western International. See Page 10 for Maximum Flow Rate Guidelines.

Mechanical Adjustment Controller for ATEX/Explosive Areas

All Max/Max flow rates in liters/hour

7 bar	17 bar	31 bar	45 bar	59 bar	73 bar	87 bar	101 bar	115 bar	129 bar
35.1	35.1	35.1	35.1	35.1	35.1	35.1	35.1	35.1	35.1
47.8	47.8	47.8	47.8	47.8	47.8	47.8	47.8	47.8	47.8
60.5	60.5	60.5	60.5	60.5	60.5	60.5	60.5	60.5	60.5
73.2	73.2	73.2	73.2	73.2	73.2	73.2	73.2	73.2	73.2
85.9	85.9	85.9	85.9	85.9	85.9	85.9	85.9	85.9	85.9
98.6	98.6	98.6	98.6	98.6	98.6	98.6	98.6	98.6	98.6
111.3	111.3	111.3	111.3	111.3	111.3	111.3	111.3	111.3	111.3
124.0	124.0	124.0	124.0	124.0	124.0	124.0	124.0	124.0	124.0
136.7	136.7	136.7	136.7	136.7	136.7	136.7	136.7	136.7	136.7

P400 Specifications (Cont'd)

Performance Maximum Flow at Designated Pressure - Imperial *

All Pumps (Ltr)	Metallic Pump Heads Only (Ltr)	Pump Type	Gear Ratio	Motor Type
100 bar	25.0	500 rpm	10:1	1000
8.0 bar	8.0	1500 rpm	30:1	1000
15.0 bar	15.0	1000 rpm	20:1	1000
22.5 bar	22.5	750 rpm	15:1	1000
30.0 bar	30.0	600 rpm	12:1	1000
37.5 bar	37.5	500 rpm	10:1	1000
45.0 bar	45.0	450 rpm	9:1	1000
52.5 bar	52.5	400 rpm	8:1	1000
60.0 bar	60.0	360 rpm	7.5:1	1000
67.5 bar	67.5	330 rpm	7:1	1000
75.0 bar	75.0	300 rpm	6.5:1	1000
82.5 bar	82.5	280 rpm	6:1	1000
90.0 bar	90.0	260 rpm	5.5:1	1000
97.5 bar	97.5	240 rpm	5:1	1000

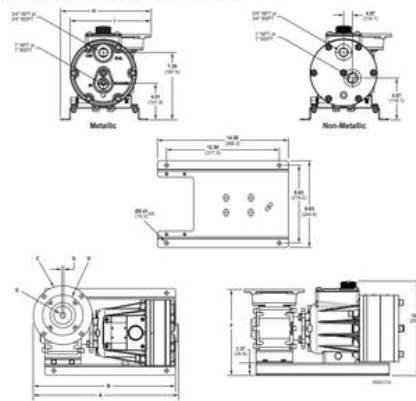
*Capacity data shown is for pumps with elastomeric diaphragms. Consult factory for performance characteristics of pumps with PTFE diaphragms.

Performance Maximum Flow at Designated Pressure - Metric *

All Pumps (Ltr)	Metallic Pump Heads Only (Ltr)	Pump Type	Gear Ratio	Motor Type
100 bar	25.0	500 rpm	10:1	1000
8.0 bar	8.0	1500 rpm	30:1	1000
15.0 bar	15.0	1000 rpm	20:1	1000
22.5 bar	22.5	750 rpm	15:1	1000
30.0 bar	30.0	600 rpm	12:1	1000
37.5 bar	37.5	500 rpm	10:1	1000
45.0 bar	45.0	450 rpm	9:1	1000
52.5 bar	52.5	400 rpm	8:1	1000
60.0 bar	60.0	360 rpm	7.5:1	1000
67.5 bar	67.5	330 rpm	7:1	1000
75.0 bar	75.0	300 rpm	6.5:1	1000
82.5 bar	82.5	280 rpm	6:1	1000
90.0 bar	90.0	260 rpm	5.5:1	1000
97.5 bar	97.5	240 rpm	5:1	1000

*Capacity data shown is for pumps with elastomeric diaphragms. Consult factory for performance characteristics of pumps with PTFE diaphragms.

P400 Models: Metallic and Non-Metallic



Dimensions in Inches (Millimeters)

Input Frame Size	A	B	C	D	E	F	G (Diaphragm Pad)	H	I
NEHA	16.125 (413)	17.25 (438)	17.75 (451)	18.5 (469)	19.25 (491)	20.0 (508)	0.125 (3.2)	0.125 (3.2)	0.125 (3.2)
NEHA 7405 TC	16.125 (413)	17.25 (438)	17.75 (451)	18.5 (469)	19.25 (491)	20.0 (508)	0.125 (3.2)	0.125 (3.2)	0.125 (3.2)
NEC 45 B5	16.125 (413)	17.25 (438)	17.75 (451)	18.5 (469)	19.25 (491)	20.0 (508)	0.125 (3.2)	0.125 (3.2)	0.125 (3.2)
NEC 75 B5	16.125 (413)	17.25 (438)	17.75 (451)	18.5 (469)	19.25 (491)	20.0 (508)	0.125 (3.2)	0.125 (3.2)	0.125 (3.2)
NEC 80 B5	16.125 (413)	17.25 (438)	17.75 (451)	18.5 (469)	19.25 (491)	20.0 (508)	0.125 (3.2)	0.125 (3.2)	0.125 (3.2)
NEC 90 B5	16.125 (413)	17.25 (438)	17.75 (451)	18.5 (469)	19.25 (491)	20.0 (508)	0.125 (3.2)	0.125 (3.2)	0.125 (3.2)
NEC 100 B5	16.125 (413)	17.25 (438)	17.75 (451)	18.5 (469)	19.25 (491)	20.0 (508)	0.125 (3.2)	0.125 (3.2)	0.125 (3.2)

Representative Drawings (mm) Metallic Pump Heads

