

## TERMOELEMENTTI ILMAN SUOJATASKUA

TC10-H

TC10H-14341557  
K Tyyppi 0-1260°C 250x6mm BSZ ilman johtoa

- Mitta-alue -40-1260°C
- Tyyppi K, J, E, N tai T
- Yksi- tai kaksi johdinta
- 4-20mA+Hart optio
- Atex optio



### TUOTEKUVAUS


Termoelementit ilman suojataskua soveltuvat erityisesti käyttökohteisiin, joissa anturin metallikärki asennetaan suoraan porattuun reikään (esim. koneen osaan) tai suoraan prosessilinjaan, jossa ei käytetä kemiallisesti aggressiivisia tai hankaavia aineita.

Vaihtoehtoisesti liitäntäpäähän voidaan liittää WIKAN tuotevalikoiman analogisia tai digitaalisia lähettämiä.

### TEKNISET TIEDOT

<b>Aineen kanssa kosketuksissa olevien osien materiaali</b>	Ruostumaton teräs 316Ti
<b>Asennussyvyys</b>	250 mm
<b>IP-luokka</b>	IP65
<b>Kytinkotelon materiaali</b>	Ruostumaton teräs 316Ti
<b>Max. käyttölämpötila</b>	1260 °C
<b>Max. ympäristön lämpötila</b>	80 °C
<b>Min. käyttölämpötila</b>	0 °C
<b>Min. ympäristön lämpötila</b>	-40 °C
<b>Pistokkeen halkaisija</b>	6 mm
<b>Rungon materiaali</b>	Alumiini

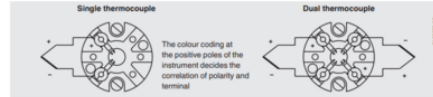
Connection head



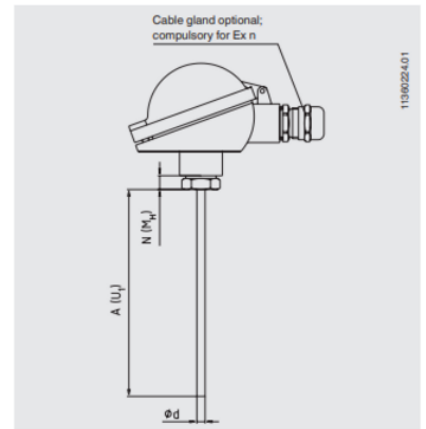
Model	Material	Cable entry thread size	Ingress protection (max.) <sup>1)</sup>	Cap	Surface	Connection to neck tube
JS	Aluminum	M18 x 1.5 <sup>1)</sup>	IP65	Cover with 2 screws	Blue, lacquered <sup>2)</sup>	M24 x 1.5, 1/2 NPT
BS	Aluminum	M20 x 1.5 or 1/2 NPT <sup>1)</sup>	IP65, IP68	Flat cap with 2 screws	Blue, lacquered <sup>2)</sup>	M24 x 1.5, 1/2 NPT
BSZ	Aluminum	M20 x 1.5 or 1/2 NPT <sup>1)</sup>	IP65, IP68	Spherical hinged cover with cylinder head screw	Blue, lacquered <sup>2)</sup>	M24 x 1.5, 1/2 NPT
BSZ-H	Aluminum	M20 x 1.5 or 1/2 NPT <sup>1)</sup>	IP65, IP68	Raised hinged cover with cylinder head screw	Blue, lacquered <sup>2)</sup>	M24 x 1.5, 1/2 NPT
BSZ-H (2x cable outlet)	Aluminum	2 x M20 x 1.5 or 2 x 1/2 NPT <sup>1)</sup>	IP65, IP68	Raised hinged cover with cylinder head screw	Blue, lacquered <sup>2)</sup>	M24 x 1.5
BSZ-H / DH10 <sup>3)</sup>	Aluminum	M20 x 1.5 or 1/2 NPT <sup>1)</sup>	IP65	Raised hinged cover with cylinder head screw	Blue, lacquered <sup>2)</sup>	M24 x 1.5, 1/2 NPT
BSS	Aluminum	M20 x 1.5 or 1/2 NPT <sup>1)</sup>	IP65	Spherical hinged cover with clamping lever	Blue, lacquered <sup>2)</sup>	M24 x 1.5, 1/2 NPT
BSS-H	Aluminum	M20 x 1.5 or 1/2 NPT <sup>1)</sup>	IP65	Raised hinged cover with clamping lever	Blue, lacquered <sup>2)</sup>	M24 x 1.5, 1/2 NPT
BVS	Stainless steel	M20 x 1.5 <sup>1)</sup>	IP65	Precision-cast screw-on lid	Black, electropolished	M24 x 1.5
BSZ-K	Plastic	M20 x 1.5 or 1/2 NPT <sup>1)</sup>	IP65	Spherical hinged cover with cylinder head screw	Black	M24 x 1.5
BSZ-HK	Plastic	M20 x 1.5 or 1/2 NPT <sup>1)</sup>	IP65	Raised hinged cover with cylinder head screw	Black	M24 x 1.5

Model	Explosion protection				
	Without	Ex I (gas) Zone 1, 2	Ex I (dust) Zone 20, 21, 22	Ex II (gas) Zone 2	Ex II (dust) Zone 22
JS	x	x	-	-	-
BS	x	x	-	-	-
BSZ	x	x	x	x	x
BSZ-H	x	x	x	x	x
BSZ-H (2x cable outlet)	x	x	x	x	x
BSZ-H / DH10 <sup>3)</sup>	x	x	-	-	-
BSS	x	x	-	-	-
BSS-H	x	x	-	-	-
BVS	x	x	-	-	-
BSZ-K	x	x	-	-	-
BSZ-HK	x	x	-	-	-

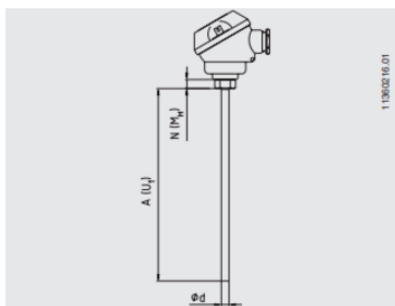
Electrical connection



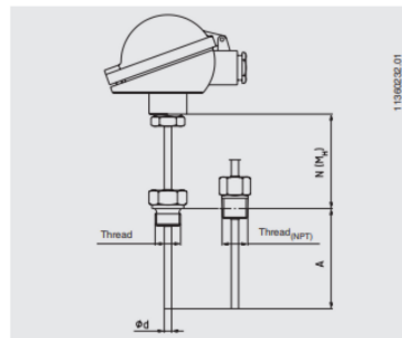
For the electrical connections of built-in temperature transmitters see the corresponding data sheets or operating instructions.



11300254.01




11300254.01



11300254.01

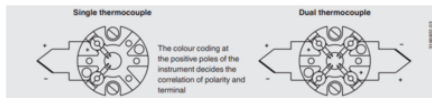
Connection head



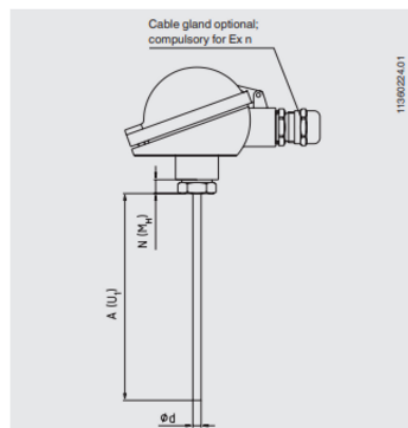
Model	Material	Cable entry thread size	Ingress protection (max.) <sup>1)</sup>	Cap	Surface	Connection to neck tube
JS	Aluminum	M18 x 1.5 <sup>1)</sup>	IP65	Cover with 2 screws	Blue, lacquered <sup>2)</sup>	M24 x 1.5, 1/2 NPT
BS	Aluminum	M20 x 1.5 or 1/2 NPT <sup>1)</sup>	IP65, IP68	Flat cap with 2 screws	Blue, lacquered <sup>2)</sup>	M24 x 1.5, 1/2 NPT
BSZ	Aluminum	M20 x 1.5 or 1/2 NPT <sup>1)</sup>	IP65, IP68	Spherical hinged cover with cylinder head screw	Blue, lacquered <sup>2)</sup>	M24 x 1.5, 1/2 NPT
BSZ-H	Aluminum	M20 x 1.5 or 1/2 NPT <sup>1)</sup>	IP65, IP68	Raised hinged cover with cylinder head screw	Blue, lacquered <sup>2)</sup>	M24 x 1.5, 1/2 NPT
BSZ-H (2x cable outlet)	Aluminum	2 x M20 x 1.5 or 2 x 1/2 NPT <sup>1)</sup>	IP65, IP68	Raised hinged cover with cylinder head screw	Blue, lacquered <sup>2)</sup>	M24 x 1.5
BSZ-H / DH10 <sup>3)</sup>	Aluminum	M20 x 1.5 or 1/2 NPT <sup>1)</sup>	IP65	Raised hinged cover with cylinder head screw	Blue, lacquered <sup>2)</sup>	M24 x 1.5, 1/2 NPT
BSS	Aluminum	M20 x 1.5 or 1/2 NPT <sup>1)</sup>	IP65	Spherical hinged cover with clamping lever	Blue, lacquered <sup>2)</sup>	M24 x 1.5, 1/2 NPT
BSS-H	Aluminum	M20 x 1.5 or 1/2 NPT <sup>1)</sup>	IP65	Raised hinged cover with clamping lever	Blue, lacquered <sup>2)</sup>	M24 x 1.5, 1/2 NPT
BVS	Stainless steel	M20 x 1.5 <sup>1)</sup>	IP65	Precision-cast screw-on lid	Black, electropolished	M24 x 1.5
BSZ-K	Plastic	M20 x 1.5 or 1/2 NPT <sup>1)</sup>	IP65	Spherical hinged cover with cylinder head screw	Black	M24 x 1.5
BSZ-HK	Plastic	M20 x 1.5 or 1/2 NPT <sup>1)</sup>	IP65	Raised hinged cover with cylinder head screw	Black	M24 x 1.5

Model	Explosion protection				
	Without	Ex I (gas) Zone 1, 2	Ex I (dust) Zone 20, 21, 22	Ex II (gas) Zone 2	Ex II (dust) Zone 22
JS	x	x	-	-	-
BS	x	x	-	-	-
BSZ	x	x	x	x	x
BSZ-H	x	x	x	x	x
BSZ-H (2x cable outlet)	x	x	x	x	x
BSZ-H / DH10 <sup>3)</sup>	x	x	-	-	-
BSS	x	x	-	-	-
BSS-H	x	x	-	-	-
BVS	x	x	-	-	-
BSZ-K	x	x	-	-	-
BSZ-HK	x	x	-	-	-

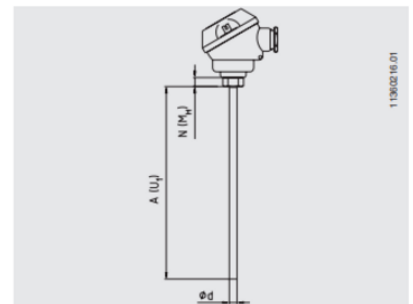
Electrical connection



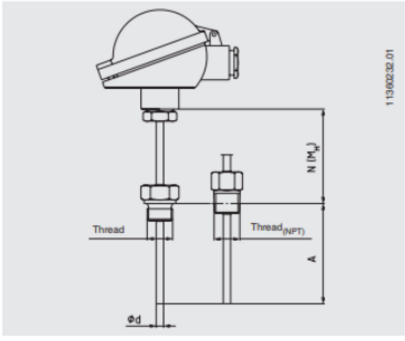
For the electrical connections of built-in temperature transmitters see the corresponding data sheets or operating instructions.



11300254.01



11300254.01



113100232.01