

JALKAKYTKIN

Teollisuuskäyttöön

606.1100.005

Jalkakytin F1-U1Z, 1-poljin, 1 NO+1 NC, hidaskosketin

- Tukeva rakenne
- Kotelointiluokka IP65
- Rele, kontaktori ym. voidaan asentaa suojan sisään
- Saatavana myös erikoismalleja esim. sairaalakäyttöön



TUOTEKUVAUS

Koodien selitykset:	
F1 =	1 poljin
F2 =	2 poljinta
UN =	Varvassuoja
U1Z =	Hidaskosketin, 1 NO+1 NC

U2Z =	Hidaskosketin, 2 NO+2 NC
SU1Z =	Momenttikosketin, 1 NO+1 NC (kosketin vaihtaa tilaansa vakionopeudella, "naksattava")
SU2Z =	Momenttikosketin, 2 NO+2 NC (kosketin vaihtaa tilaansa vakionopeudella, "naksattava")
U1Y =	"Push-push" –kosketin. Kerran painettaessa koskettimet vaihtavat tilaansa, ja toisen kerran painettaessa palautuvat alkutilaansa, 1 NO+1 NC.
U2ZD =	Kaksoistoiminta: ensimmäinen kosketinpari toimii painettaessa poljinta vasteeseen asti, toinen pari kytkeytyy mukaan kun poljinvoimaa lisätään ja painetaan pohjaan asti, 2 NO+2 NC.

TEKNISEET TIEDOT

TIEDOT

Koskettimet	1 NO, 1 NC
IP-luokka	IP65
Max. jännite	240 V
Nimellisvirta, terminen	10 A
Kaapelisisäänmeno	3xM20x1,5
Rungon materiaali	Alumiini
Polkimien määrä	1
Polkimen materiaali	Muovi
Min. käyttölämpötila	-30 °C
Max. käyttölämpötila	80 °C
Max. toimintataajuus	50 kertaa/min
B10d	20x10 ⁶
Hyväksynnät	CCC, CE, CSA US

Standard values for safety technology

EN604 20 x 10°

6 x 10° Restrictions in article designation "C1"

2 x 10° Restrictions in article designation "C2"

4 x 10° Restrictions in article designation "C3"

1 x 10° Restrictions in article designation "C4"

* Once a restriction exists, the lowest value needs to be applied.

This technical data is generic to our standard foot switch range, please refer to individual technical data sheets for exact product information as the technical data above may vary.

Standards

VEE 0660 T10L DIN EN 60947-1, EC 60947-1

VEE 0660 T20L DIN EN 60947-5-1, EC 60947-5-1

Approvals*

CCSA US A 20L Q300 (same polarity)

UL61800 (in type designation "ZS")

250°C (Data switches that have an appropriate label)

* Approvals depend on type.

More information can be found in the data sheet.

Mechanical data

Enclosure

Cast aluminium (powder-coated)

Cover, Protective shroud UN

Cast aluminium (powder-coated)

Foot pedal

Thermoplastic

Operating temperature (with no icing / no condensation)

-20°C to +80°C (-20°F to +180°F in type designation "XV")

Storage temperature

-20°C to +80°C (-20°F to +180°F in type designation "XV")

Mechanical service life

> 1 x 10⁶ switching cycles when using switches with potentiometer 1 x 10⁶

Switching frequency

30 min⁻¹ when using switches with potentiometer 20 min⁻¹

Type of connection

Screw connections (M3.5)

Conductor cross sections

Single-wire 0.5 - 1.5 mm² or stranded-wire with female 0.5 - 1.5 mm²

Cable entry

M20 x 1.5

Weight with cover

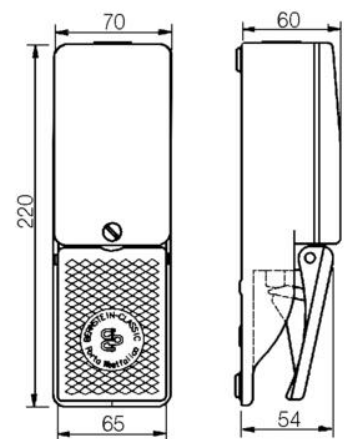
F1 = 0.8 kg, F2 = 1.3 kg, F3 = 3.0 kg

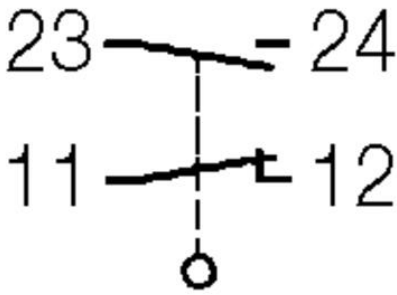
Weight with protective shroud UN

F1 = 1.5 kg, F2 = 2.6 kg, F3 = 5.4 kg

Protection class

Protection class depends on type, standard is IP 65.





Standard values for safety technology

BTM	20 x 10°
	0 x 10° Restrictions in article designation "1" *
	2 x 10° Restrictions in article designation "2" *
	4 x 10° Restrictions in article designation "3" *
	1 x 10° Restrictions in article designation "2" *

* Once a restriction exists, the lowest value needs to be applied.

This technical data is generic to our standard foot switch range, please refer to individual technical data sheets for exact product information as the technical data above may vary.

Standards

VDE 0660 1100, DIN EN 60947-1, IEC 60947-1
VDE 0660 1100-010, DIN EN 60947-1-1, IEC 60947-1-1

Approvals*

CECAG, A 300, Q300 (same priority)
UL, E3000 (in type designation "2")
DSG (Only switches that have an appropriate label)

* Approvals depend on type.
More information can be found in the data sheet.

Mechanical data

Enclosure	Cast aluminium (powder-coated)
Cover, Protective shroud UN	Cast aluminium (powder-coated)
Foot pedal	Thermoplastic
Operating temperature (with no load / no condensation)	-30°C to +80°C; 20°C to +80°C in type designation "3"
Storage temperature	-30°C to +80°C; 20°C to +80°C in type designation "3"
Mechanical service life	> 1 x 10 ⁶ switching cycles when using switches with potentiometer 1 x 10 ⁶
Switching frequency	50 min ² when using switches with potentiometer 20 min ²
Type of connection	Screw connections (M3.5)
Conductor cross sections	Single wire 0.5 - 1.5 mm ² or stranded wire with female 0.5 - 1.5 mm ²
Cable entry	M20 x 1.5
Weight with cover	F1 = 0.8 kg, F2 = 1.1 kg, F3 = 1.5 kg
Weight with protective shroud UN	F1 = 1.3 kg, F2 = 2.4 kg, F3 = 3.4 kg
Protection class	Protection class depends on type. Standard is IP 65.