

## JALKAKYTKIN

Teollisuuskäyttöön

606.2110.013

Jalkakytkin F2-U1Z/U1Z, 2-poljin, 1 NO+1 NC,  
hidaskosketin

- Tukeva rakenne
- Kotelointiluokka IP65
- Rele, kontaktori ym. voidaan asentaa suojan sisään
- Saatavana myös erikoismalleja esim. sairaalakäyttöön



## TUOTEKUVAUS

---

### Koodien selitykset:

---

**F1 =** 1 poljin

---

**F2 =** 2 poljinta

---

**UN =** Varvassuoja

---

**U1Z =** Hidaskosketin, 1 NO+1 NC

---

<b>U2Z =</b>	Hidaskosketin, 2 NO+2 NC
<b>SU1Z =</b>	Momenttikosketin, 1 NO+1 NC (kosketin vaihtaa tilaansa vakionopeudella, "nakshtava")
<b>SU2Z =</b>	Momenttikosketin, 2 NO+2 NC (kosketin vaihtaa tilaansa vakionopeudella, "nakshtava")
<b>U1Y =</b>	"Push-push" –kosketin. Kerran painettaessa koskettimet vaihtavat tilaansa, ja toisen kerran painettaessa palautuvat alkutilaansa, 1 NO+1 NC.
<b>U2ZD =</b>	Kaksoistoiminta: ensimmäinen kosketinpari toimii painettaessa poljinta vasteeseen asti, toinen pari kytkeytyy mukaan kun poljinvoimaa lisätään ja painetaan pohjaan asti, 2 NO+2 NC.

## TEKNISET TIEDOT

### TIEDOT

<b>Koskettimet</b>	1 NO, 1 NC
<b>IP-luokka</b>	IP65
<b>Max. jännite</b>	240 V
<b>Nimellisvirta, terminen</b>	10 A
<b>Kaapelisisäänmeno</b>	1xM20x1,5
<b>Rungon materiaali</b>	Alumiini
<b>Polkimien määrä</b>	2
<b>Polkimen materiaali</b>	Muovi
<b>Min. käyttölämpötila</b>	-30 °C
<b>Max. käyttölämpötila</b>	80 °C
<b>Max. toimintataajuus</b>	50 kertaa/min
<b>B10d</b>	20x10 <sup>6</sup>
<b>Hyväksynyt</b>	CCC, CE, CSA US

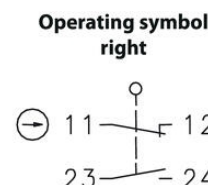
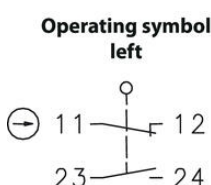
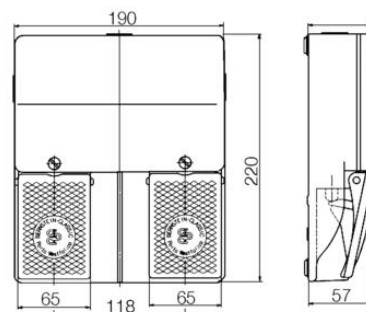
Standard values for safety technology
W02 2x1 kV
1 x 10 <sup>3</sup> Restrictions in article designation "C"
2 x 10 <sup>3</sup> Restrictions in article designation "D"
4 x 10 <sup>3</sup> Restrictions in article designation "E"
1 x 10 <sup>3</sup> Restrictions in article designation "ZS"

\* Once a restriction exists, the lowest value needs to be applied.  
This technical data is generic to our standard foot switch range, please refer to individual technical data sheets for exact product information as the technical data above may vary.

Standards
VDE 0661 T100, DIN EN 60947-1, IEC 60947-1
VDE 0661 T200, DIN EN 60947-5-1, IEC 60947-5-1

**Approvals\***  
CCC, A 900, Q300 (same priority)  
UL, E300 (in type designation "ZS")  
DQ30 (Only switches that have an approval label)  
\* Approvals depend on type.  
More information can be found in the data sheet.

Mechanical data	
Enduse	Cast aluminum (powder coated)
Cover, Protective shroud DN	Cast aluminum (powder coated)
Foot pedal	Thermoplastic
Operating temperature (with no icing / no condensation)	-30°C to +80°C (-20°C to +180°C in type designation "E")
Storage temperature	-30°C to +80°C (-20°C to +180°C in type designation "E")
Mechanical service life	1 x 10 <sup>6</sup> switching cycles when using switches with potentiometer 1 x 10 <sup>6</sup>
Switching frequency	50 min* when using switches with potentiometer 20 min*
Type of connection	Socket connections (M3.5)
Conductor cross sections	Single wire 0.3 - 1.5 mm <sup>2</sup> or stranded wire with female 0.3 - 1.5 mm <sup>2</sup>
Cable entry	M20 x 1.5
Weight with cover	11 = 0.4 kg, F2 = 1.7 kg, F3 = 3.0 kg
Weight with protective shroud DN	11 = 1.1 kg, F2 = 2.4 kg, F3 = 5.4 kg
Protection class	Protection class depends on type. Standard is IP 65.



Standard values for safety technology
W02 2x1 kV
1 x 10 <sup>3</sup> Restrictions in article designation "C"
2 x 10 <sup>3</sup> Restrictions in article designation "D"
4 x 10 <sup>3</sup> Restrictions in article designation "E"
1 x 10 <sup>3</sup> Restrictions in article designation "ZS"

\* Once a restriction exists, the lowest value needs to be applied.  
This technical data is generic to our standard foot switch range, please refer to individual technical data sheets for exact product information as the technical data above may vary.

Standards
VDE 0661 T100, DIN EN 60947-1, IEC 60947-1
VDE 0661 T200, DIN EN 60947-5-1, IEC 60947-5-1

**Approvals\***  
CCC, A 900, Q300 (same priority)  
UL, E300 (in type designation "ZS")  
DQ30 (Only switches that have an approval label)  
\* Approvals depend on type.  
More information can be found in the data sheet.

Mechanical data	
Enclosure	Cast aluminium (powder-coated)
Cover, Protective shield (IP)	Cast aluminium (powder-coated)
Foot/pedal	Thermoplastic
Operating temperature (with no load / no condensation)	-30°C to +60°C (-20°C to +65°C in type designation TX7)
Storage temperature	-30°C to +60°C (-20°C to +65°C in type designation TX7)
Mechanical service life	> 1 x 10 <sup>7</sup> switching cycles when using switches with potentiometer 3 x 10 <sup>7</sup>
Switching frequency	30 min <sup>-1</sup> when using switches with potentiometer 30 min <sup>-1</sup>
Type of connection	Socket connection (M25)
Conductor cross sections	Single wire 0.5 - 1.5 mm <sup>2</sup> or stranded wire with female 0.5 - 1.5 mm <sup>2</sup>
Cable entry	M20 x 1.5
Weight with cover	F1 = 0.6 kg, F2 = 1.7 kg, F3 = 3.0 kg
Weight with protective shield (IP)	F1 = 1.5 kg, F2 = 2.6 kg, F3 = 5.4 kg
Protection class	Protection class depends on type. Standard is IP 65.