

JALKAKYTKIN

Teollisuuskäyttöön

606.2830.022

Jalkakytkin F2-SU1Z/SU1ZUN, 2-poljlin, 1 NO+1 NC,
momenttikosketin, suoja

- Tukeva rakenne
- Kotelointiluokka IP65
- Rele, kontaktori ym. voidaan asentaa suojan sisään
- Saatavana myös erikoismalleja esim. sairaalakäyttöön



TUOTEKUVAUS

Koodien selitykset:

F1 = 1 poljin

F2 = 2 poljinta

UN = Varvassuoja

U1Z = Hidaskosketin, 1 NO+1 NC

U2Z =	Hidaskosketin, 2 NO+2 NC
SU1Z =	Momenttikosketin, 1 NO+1 NC (kosketin vaihtaa tilaansa vakionopeudella, "nakshtava")
SU2Z =	Momenttikosketin, 2 NO+2 NC (kosketin vaihtaa tilaansa vakionopeudella, "nakshtava")
U1Y =	"Push-push" –kosketin. Kerran painettaessa koskettimet vaihtavat tilaansa, ja toisen kerran painettaessa palautuvat alkutilaansa, 1 NO+1 NC.
U2ZD =	Kaksoistoiminta: ensimmäinen kosketinpari toimii painettaessa poljinta vasteeseen asti, toinen pari kytkeytyy mukaan kun poljinvoimaa lisätään ja painetaan pohjaan asti, 2 NO+2 NC.

TEKNISET TIEDOT

TIEDOT

Koskettimet	1 NO, 1 NC
IP-luokka	IP65
Max. jännite	240 V
Nimellisvirta, terminen	10 A
Kaapelisisäänmeno	1xM20x1,5
Rungon materiaali	Alumiini
Polkimien määrä	2
Polkimen materiaali	Muovi
Min. käyttölämpötila	-30 °C
Max. käyttölämpötila	80 °C
Max. toimintataajuus	50 kertaa/min
B10d	20x10 ⁶
Hyväksynnät	CCC, CE, CSA US

Standard values for safety technology

EN60203	2, 3 x 10 ⁵
EN60205	1 x 10 ⁵
EN60206	1 x 10 ⁵
EN60207	1 x 10 ⁵

* Once a restriction exists, the lowest value needs to be applied.

This technical data is generic to our standard foot switch design; please refer to individual technical data sheets for exact product information as the technical data shown may vary.

Standards

IEC 60671-1	EN 60947-1, IEC 60947-1
IEC 60671-2	EN 60947-2, IEC 60947-2

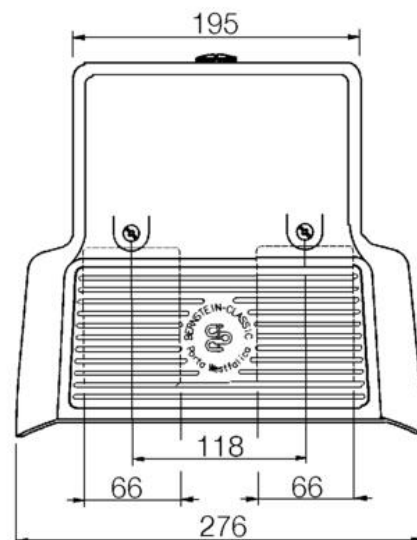
Approvals*

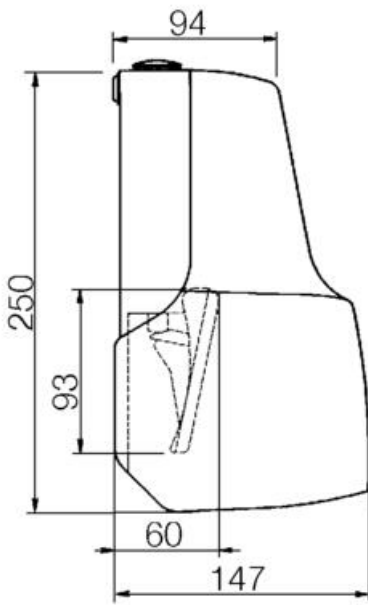
CCC	A 900, Q300 (same polarity)
UL	508 (in type designation "2S")
CE	(only switches that have an appropriate label)

* Approvals depend on type.
More information can be found in the data sheet.

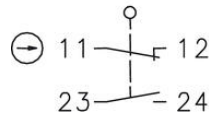
Mechanical data

Enclosure	Cast aluminum (powder coated)
Cover, Protective shield/EN	Cast aluminum (powder coated)
Foot pedal	Thermoplastic
Operating temperature (with no icing / no condensation)	-30°C to +80°C (-20°C to +180°C in type designation "3X")
Storage temperature	-30°C to +80°C (-20°C to +180°C in type designation "3X")
Mechanical service life	≥ 1 x 10 ⁶ switching cycles when using switches with potentiometer 1 x 10 ⁶
Switching frequency	50 min* when using switches with potentiometer 20 min*
Type of connection	Screw connections (M3.5)
Conductor cross sections	Single wire 0.3 - 1.5 mm ² or stranded wire with female 0.3 - 1.5 mm ²
Cable entry	M20 x 1.5
Weight with cover	F1 = 0.8 kg, F2 = 1.7 kg, F3 = 3.0 kg
Weight with protective shield/EN	F1 = 1.1 kg, F2 = 2.4 kg, F3 = 5.4 kg
Protection class	Protection class depends on type. Standard is IP 65.

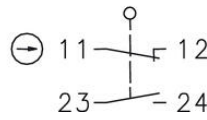




Operating symbol left



Operating symbol right



Standard values for safety technology

Base: 25 x 10'

6 x 10' Restrictions in article designation "C"

2 x 10' Restrictions in article designation "D"

4 x 10' Restrictions in article designation "K"

1 x 10' Restrictions in article designation "Z"

* Once a restriction exists, the base value needs to be applied.

This technical data is generic to our standard foot switch range, please refer to individual technical data sheets for exact product information as the technical data above may vary.

Standards

VDE 0661 1:05, DIN EN 60947-1, IEC 60947-1
VDE 0661 2:05, DIN EN 60947-2, IEC 60947-2-1

Approvals*

CCC/UL A 500, Q300 (same priority)
UL® E900 (in type designation "Z")
CCC/UL (only switches that have an appropriate label)
* Approvals depend on type.
More information can be found in the data sheet.

Mechanical data	
Enclosure	Cast aluminium (powder coated)
Cover, Protective shroud ON	Cast aluminium (powder coated)
Foot pedal	Thermoplastic
Operating temperature (with no load / no sand/medium)	-30°C to +80°C, -20°C to +85°C in type designation "EX"
Storage temperature	-30°C to +80°C, -20°C to +85°C in type designation "EX"
Mechanical service life	> 1 x 10 ⁶ switching cycles when using switches with potentiometer 1 x 10 ⁷
Switching frequency	30 min ¹ when using switches with potentiometer 20 min ²
Type of connection	Screw connections (M3.5)
Conductor cross sections	Single wire 0.5 - 1.5 mm ² or stranded wire with strands 0.5 - 1.5 mm ²
Cable entry	M20 x 1.5
Weight with cover	F1 = 0.8 kg, F2 = 1.7 kg, F3 = 3.5 kg
Weight with protective shroud ON	F1 = 1.5 kg, F2 = 2.6 kg, F3 = 5.4 kg
Protection class	Protection class depends on type. Standard is IP 65.