

DH-16-SARJAN PAINEENSÄÄDIN

Hitsatuilla liitoksilla

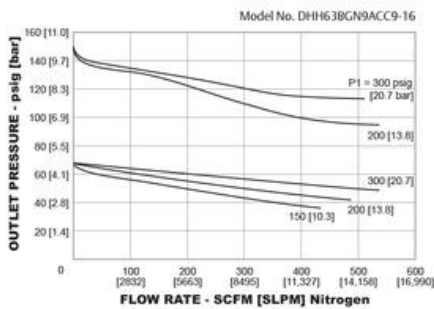
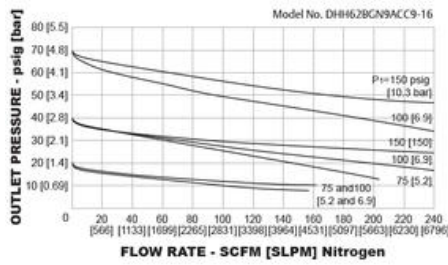
DH-16
 DH-16-sarja

- Max. sisäntulopaine: 20,7 bar
- Max. ulostulopaine: 20,7 bar
- Lämpötila alue: -29 - 74°C
- CV 5.0
- Vuototestaus: Kuplatiivis



SHOWN WITH SANITARY CONNECTIONS

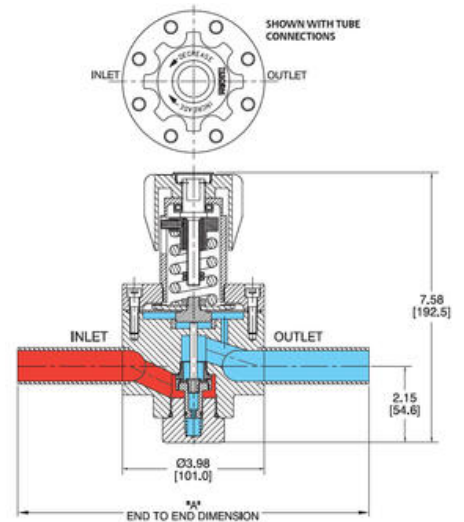
TUOTEKUVAUS



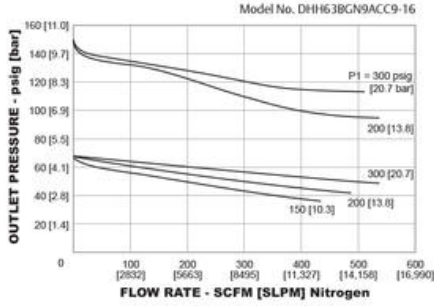
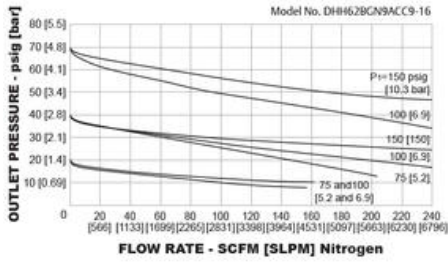
Example for selecting a part number:

DH	H	6	2	B	G	N	9	A	C	C	9	-16
BASIC SERIES	LOAD TYPE	BOOD, BONDLET, AND BACK-CAP MATERIAL	OUTLET PRESSURE	O-RING AND VALVE SEAT MATERIAL	DIAPHRAGM MATERIAL	VENT SEAT MATERIAL	OPTIONAL ITEMS	GAUGE PORT CONFIGURATION	INLET, OUTLET, AND GAUGE PORTS		MOD	
DH	D - Dome load	B - 316 Stainless Steel	0 - 20 psig 0.14 bar 1 - 50 psig 0.34 bar 2 - 100 psig 0.69 bar 3 - 150 psig 1.03 bar 5 - 250 psig 1.72 bar 9 - 300 psig 2.07 bar (Dome load only)	B - Nitrile Buna N (D-Ring) NBR Buna N 90 Diaphragm (valve seat) E - EPDM (D-Ring) M - Chemrel® (D-Ring) V - Viton® (D-Ring) DM (Mon'A) (valve seat)	E - EPDM Nylon Stainless Steel C - PTFE	V - PTFE M - Buna venting	C - CCL P - Panel Mount N - None A - No gauge ports B - 1/2" Sanitary C - 1/2" Sanitary D - 1/2" Sanitary F - 1/2" NPT (gauge only) M - 1/2" NPT (gauge only) N - 1/2" NPT (gauge only) O - 1/2" NPT (gauge only) P - 1/2" NPT (gauge only) Q - 1/2" NPT (gauge only) R - 1/2" NPT (gauge only) S - 1/2" NPT (gauge only) T - 1/2" NPT (gauge only) U - 1/2" NPT (gauge only) V - 1/2" NPT (gauge only) W - 1/2" NPT (gauge only) X - 1/2" NPT (gauge only) Y - 1/2" NPT (gauge only) Z - 1/2" NPT (gauge only)	A - 1/2" Sanitary B - 1/2" Sanitary C - 1/2" Sanitary D - 1/2" Sanitary F - 1/2" NPT (gauge only) M - 1/2" NPT (gauge only) N - 1/2" NPT (gauge only) O - 1/2" NPT (gauge only) P - 1/2" NPT (gauge only) Q - 1/2" NPT (gauge only) R - 1/2" NPT (gauge only) S - 1/2" NPT (gauge only) T - 1/2" NPT (gauge only) U - 1/2" NPT (gauge only) V - 1/2" NPT (gauge only) W - 1/2" NPT (gauge only) X - 1/2" NPT (gauge only) Y - 1/2" NPT (gauge only) Z - 1/2" NPT (gauge only)		14		

** IMAK Performance (Chemours)



PART NO.	DIMENSION "A"	PART NO.	DIMENSION "A"
DH6000000AAX-16	7.25 / 7.13	DH600000066X-16	9.91 / 9.79
DH6000000B8X-16	7.25 / 7.13	DH600000077X-16	9.91 / 9.79
DH6000000CX-16	7.25 / 7.13	DH600000088X-16	9.91 / 9.79

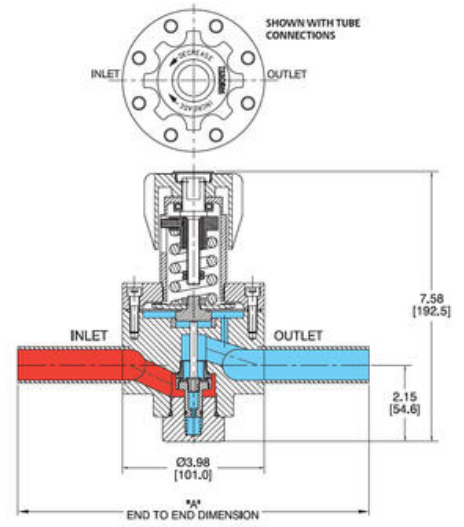


Example for selecting a part number:

DH H 6 2 B G N 9 A										INLET	OUTLET	GAUGE	
										C	C	9	-16
BASIC SERIES	LOAD TYPE	BODY, BRONZE, AND BACK-CAP MATERIAL	OUTLET PRESSURE	O-RING AND VALVE SEAT MATERIAL	DIAPHRAGM MATERIAL	VENT SEAT MATERIAL	OPTIONAL ITEMS	GAUGE PORT CONFIGURATION	INLET, OUTLET, AND GAUGE PORTS	MOOD			
DH	D - Dome load	6 - 316 Stainless Steel	0 - 20 psig 0.1 bar 1 - 0.10 psig 0.34 bar 2 - 0.100 psig 0.6.9 bar 3 - 0.150 psig 0.10.3 bar 4 - 0.200 psig 0.13.8 bar 5 - 0.250 psig 0.17.2 bar 6 - 300 psig 0.20.7 bar (Dome load only)	B - Nitrile Buna-N (D-Ring) Nitrile Buna-N (O-Ring) E - EPDM (Diaphragm) F - Viton (Diaphragm) G - Viton (Diaphragm) H - Viton (Diaphragm) I - Viton (Diaphragm) J - Viton (Diaphragm) K - Viton (Diaphragm) L - Viton (Diaphragm) M - Viton (Diaphragm) N - Viton (Diaphragm) O - Viton (Diaphragm) P - Viton (Diaphragm) Q - Viton (Diaphragm) R - Viton (Diaphragm) S - Viton (Diaphragm) T - Viton (Diaphragm) U - Viton (Diaphragm) V - Viton (Diaphragm) W - Viton (Diaphragm) X - Viton (Diaphragm) Y - Viton (Diaphragm) Z - Viton (Diaphragm)	E - 1.2 V - Viton S - Viton C - Viton	C - PCVTE V - Viton S - Viton C - Viton	C - 01 P - 01 B - none	A - No gauge ports B - 1/2" gauge ports at 10° C - 1/2" gauge ports at 10° D - One outlet gauge at 90° E - Left hand inlet one outlet gauge at 90°	A - 1/2" Sanitary B - 1/2" Sanitary C - 1/2" Sanitary D - 1/2" Sanitary E - 1/2" Sanitary (gauge only) F - 1/2" FICF G - 1/2" FICF H - 1/2" FICF I - 1/2" FICF J - 1/2" FICF K - 1/2" FICF L - 1/2" FICF M - 1/2" FICF N - 1/2" FICF O - 1/2" FICF P - 1/2" FICF Q - 1/2" FICF R - 1/2" FICF S - 1/2" FICF T - 1/2" FICF U - 1/2" FICF V - 1/2" FICF W - 1/2" FICF X - 1/2" FICF Y - 1/2" FICF Z - 1/2" FICF	16			

1. 1/2" port both regulator C₁₀ to 2.0
2. 1/4" port both regulator C₁₀ to 1.0

** DHXK Performance Chart (Demand)



PART NO.	DIMENSION "A"	PART NO.	DIMENSION "A"
DHX6000000AAX-16	7.25/7.13	DHX600000066X-16	9.91/9.79
DHX6000000BBX-16	7.25/7.13	DHX600000077X-16	9.91/9.79
DHX6000000CCX-16	7.25/7.13	DHX600000088X-16	9.91/9.79