



# DA-SARJAN PAINEENSÄÄDIN

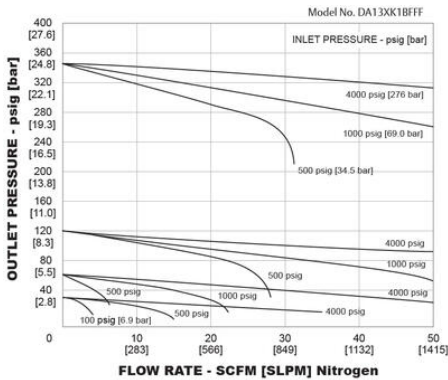
Alle ilmakehän paineen toimiva

DA-1  
 DA-sarja

- Max. sisääntulopaine: 310 bar
- Max. ulostulopaine: 24 1
- Lämpötila alue: -25 - 60°C
- CV: 0.06
- Vuototestaus: Kuplatiivis

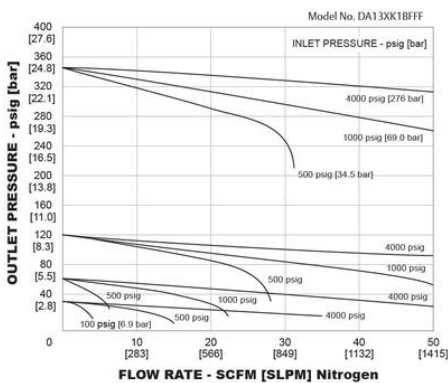
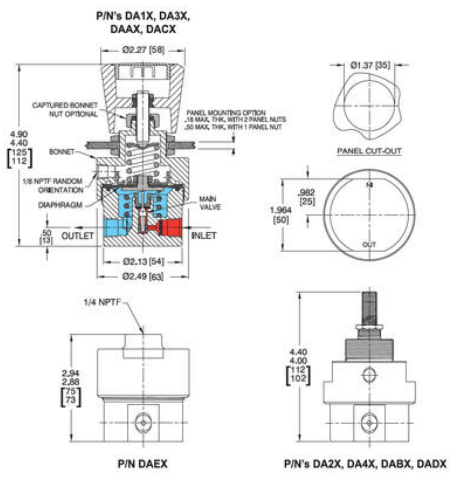


## TUOTEKUVAUS



Example for selecting a part number: DA 1 3 0 K 1 B 9 A FF 9

BASIC SERIES	LOAD TYPE	BODY MATERIAL	OUTLET PRESSURE RANGES	SEAL MATERIAL	FLOW C <sub>2</sub>	DIAPHRAGM MATERIAL	MOUNTING	STANDARD PORTING CONFIGURATION	INLET/OUTLET END-GUAGE PORT TYPE AND SIZE
DA	Standard Pressure Reducing	3 - Aluminum	0 - N/A 1 - 0-15 psig 2 - 0-50 psig 3 - 0-100 psig 4 - 0-241 bar	E - PTFE seat 4000 psig 1000 psig 500 psig 34.5 bar max/min (Diene bonded)	0.06 0.06 0.06 0.06 0.06	1 - C <sub>2</sub> - Nitrile 2 - Buna-N 3 - Ethylene Propylene 4 - Viton (Other*)	9 - None P - Panel Mounting	A - No gauge ports B - 1/2" NPT C - 1/2" NPT D - Out gauge port at 90° E - In and out gauge port at 90° F - In and out gauge port at 90° G - In and out gauge port at 90° H - In and out gauge port at 90° I - In and out gauge port at 90°	N - 1/2" NPT P - 1/2" NPT Q - 1/2" NPT R - 1/2" NPT S - 1/2" NPT T - 1/2" NPT U - 1/2" NPT V - 1/2" NPT W - 1/2" NPT X - 1/2" NPT Y - 1/2" NPT Z - 1/2" NPT



Example for selecting a part number: DA 1 3 0 K 1 B 9 A FF 9

BASIC SERIES	LOAD TYPE	BODY MATERIAL	OUTLET PRESSURE RANGES	SEAL MATERIAL	FLOW C <sub>2</sub>	DIAPHRAGM MATERIAL	MOUNTING	STANDARD PORTING CONFIGURATION	INLET/OUTLET END-GUAGE PORT TYPE AND SIZE
DA	Standard Pressure Reducing	3 - Aluminum	0 - N/A 1 - 0-15 psig 2 - 0-50 psig 3 - 0-100 psig 4 - 0-241 bar	E - PTFE seat 4000 psig 1000 psig 500 psig 34.5 bar max/min (Diene bonded)	0.06 0.06 0.06 0.06 0.06	1 - C <sub>2</sub> - Nitrile 2 - Buna-N 3 - Ethylene Propylene 4 - Viton (Other*)	9 - None P - Panel Mounting	A - No gauge ports B - 1/2" NPT C - 1/2" NPT D - Out gauge port at 90° E - In and out gauge port at 90° F - In and out gauge port at 90° G - In and out gauge port at 90° H - In and out gauge port at 90° I - In and out gauge port at 90°	N - 1/2" NPT P - 1/2" NPT Q - 1/2" NPT R - 1/2" NPT S - 1/2" NPT T - 1/2" NPT U - 1/2" NPT V - 1/2" NPT W - 1/2" NPT X - 1/2" NPT Y - 1/2" NPT Z - 1/2" NPT

