



# HV-SARJA

HV7000  
 HV7000

- Max. sisääntulopaine: 875 bar
- Max. ulostulopaine: 10-30 bar
- CV: 0.17
- Vuototestaus: Kuplatiivis



## TUOTEKUVAUS

Example for selecting a part number:

Basic Series	Body Material	Outlet Pressure Range	Part Type	Part Sizes	Set Pressure
HV-70	3 - Aluminum 6061-T6 with Clear Anodic Coating	1 - 10-12 bar / 143-174 psi	C - Inlet O-Ring Face Seal Outlet: S&L	7 - Inlet: 1/4" Outlet: 3/8" 8 - Inlet: 1/4" Outlet: 1/2"	10 - 10 bar / 145 psi 12 - 12 bar / 174 psi 15 - 15 bar / 218 psi 16 - 16 bar / 232 psi 20 - 20 bar / 290 psi 21 - 21 bar / 305 psi 22 - 22 bar / 319 psi 23 - 23 bar / 334 psi 24 - 24 bar / 348 psi 25 - 25 bar / 362 psi 26 - 26 bar / 377 psi 27 - 27 bar / 391 psi 28 - 28 bar / 406 psi 29 - 29 bar / 420 psi 30 - 30 bar / 435 psi
		2 - 13-20 bar / 174-290 psi	C - Inlet O-Ring Face Seal Outlet: S&L	7 - Inlet: 1/4" Outlet: 3/8" 8 - Inlet: 1/4" Outlet: 1/2"	
		3 - 20-30 bar / 290-435 psi	C - Inlet O-Ring Face Seal Outlet: S&L	7 - Inlet: 1/4" Outlet: 3/8" 8 - Inlet: 1/4" Outlet: 1/2"	

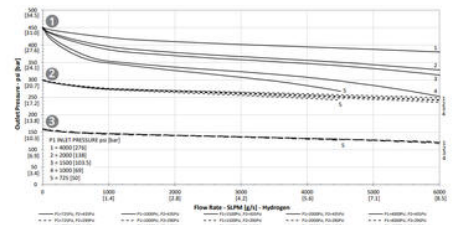
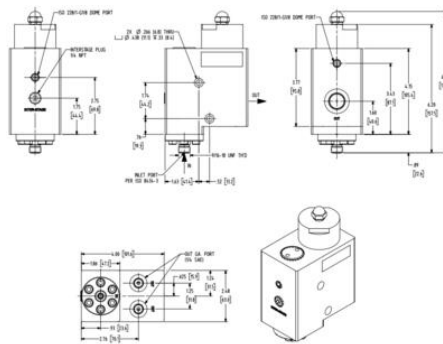


Figure 1: 425 psi / 30 bar Outlet Pressure Setting

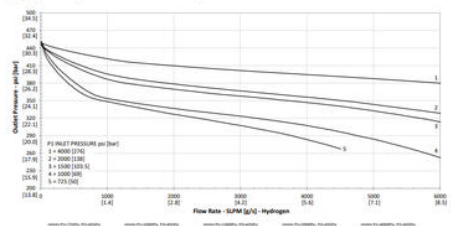


Figure 2: 250 psi / 20 bar Outlet Pressure Setting

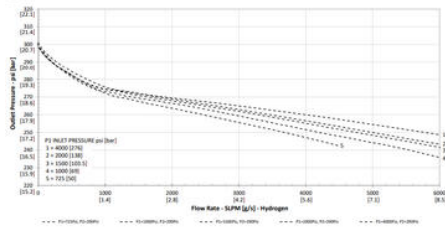
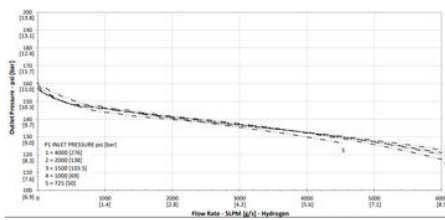


Figure 3: 145 psi / 10 bar Outlet Pressure Setting



Example for selecting a part number:

Part No.	2	3	C	Y	30
Basic Series	Body Material	Outlet Pressure Range	Part Type	Part Size	Set Pressure
HV-70	3 = Aluminum 6061 T6 with Clear Anodic Coating	1 = 10-12 bar / 145-174 psi 2 = 13-20 bar / 194-290 psi 3 = 20-30 bar / 290-435 psi	C = Inlet O-Ring Face Seal Outlet: SAE C = Inlet O-Ring Face Seal Outlet: SAE C = Inlet O-Ring Face Seal Outlet: SAE	7 = Inlet: 1/4" Outlet: 3/8" 8 = Inlet: 1/4" Outlet: 1/2" 9 = Inlet: 1/4" Outlet: 3/8" 10 = Inlet: 1/4" Outlet: 1/2" 11 = Inlet: 1/4" Outlet: 3/8" 12 = Inlet: 1/4" Outlet: 1/2" 13 = Inlet: 1/4" Outlet: 3/8" 14 = Inlet: 1/4" Outlet: 1/2" 15 = Inlet: 1/4" Outlet: 3/8" 16 = Inlet: 1/4" Outlet: 1/2" 17 = Inlet: 1/4" Outlet: 3/8" 18 = Inlet: 1/4" Outlet: 1/2" 19 = Inlet: 1/4" Outlet: 3/8" 20 = Inlet: 1/4" Outlet: 1/2" 21 = Inlet: 1/4" Outlet: 3/8" 22 = Inlet: 1/4" Outlet: 1/2" 23 = Inlet: 1/4" Outlet: 3/8" 24 = Inlet: 1/4" Outlet: 1/2" 25 = Inlet: 1/4" Outlet: 3/8" 26 = Inlet: 1/4" Outlet: 1/2" 27 = Inlet: 1/4" Outlet: 3/8" 28 = Inlet: 1/4" Outlet: 1/2" 29 = Inlet: 1/4" Outlet: 3/8" 30 = Inlet: 1/4" Outlet: 1/2"	10 = 10 bar / 145 psi 12 = 12 bar / 174 psi 15 = 15 bar / 218 psi 16 = 16 bar / 232 psi 20 = 20 bar / 290 psi 21 = 21 bar / 303 psi 22 = 22 bar / 319 psi 23 = 23 bar / 334 psi 24 = 24 bar / 348 psi 26 = 26 bar / 377 psi 27 = 27 bar / 392 psi 28 = 28 bar / 406 psi 29 = 29 bar / 421 psi 30 = 30 bar / 435 psi

