

**Material:**

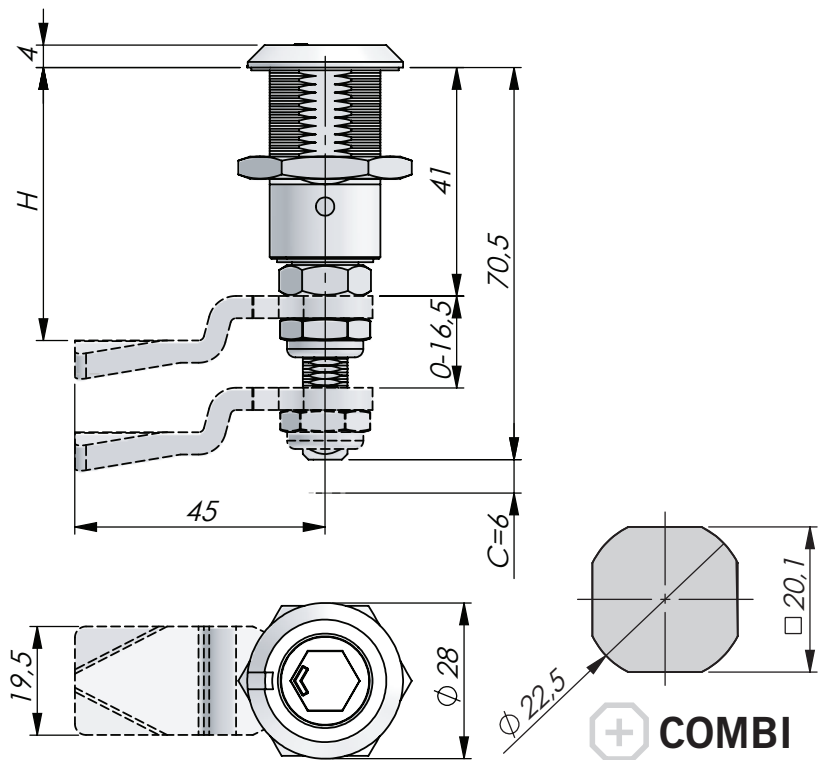
- Housing and insert: Zinc die-cast, chrome plated or black coated.
- Extended shaft: Steel, zinc plated.
- Nut for housing: Zinc die-cast, zinc plated.
- Counter-nuts: Steel, zinc plated.

**References, Accessories:**

- Cams: Page 2-481.
- Keys: Page 2-370 and 2-372.
- \* Handles and knobs: Page 2-360.
- Stainless version: Page 6-136.

**Notes, Tests:**

Other inserts on request.  
Protection degree IP65 is also classed "Waterproof according to NEMA 4".



Compression latch. Close and tighten with a single continuous half-turn motion. The first 90° turn moves the cam 90°, the second 90° turn retracts the cam 6 mm. This compression is shown as "C" in the drawing above.

The extended, threaded shaft allows you to place the cam along its entire length, resulting in a long distance for adjusting (a total of 20 mm). Fix the cam with counter-nuts. The latch is supplied assembled, cam to be ordered separately.

**Compression Latch - 35 mm - Adjustable**

P/N chrome	P/N black	Insert
241389-01	241589-01	Hexagon 11
241389-09	241589-09	Square 8
241389-11	241589-11	Square 8/M6 *
241389-12	241589-12	Triangle 7
241389-13	241589-13	Triangle 8
241389-14	241589-14	Triangle 10
241389-15	241589-15	Triangle 10 / M6
241389-16	241589-16	Double Bit 3
241389-17	241589-17	Double Bit 5
241389-18	241589-18	DB (Deutsche Bahn). On request.
241389-20	241589-20	Slotted
241389-21	241589-21	Recessed hexagon 10
241389-22	241589-22	Recessed hexagon 8
241389-28	241589-28	Triangle 10/M5
241389-47	241589-47	Recessed hexagon 8 / 3 mm pin
241389-56	241589-56	Tubular Asymmetric
241389-79	241589-79	Triangular 6,5