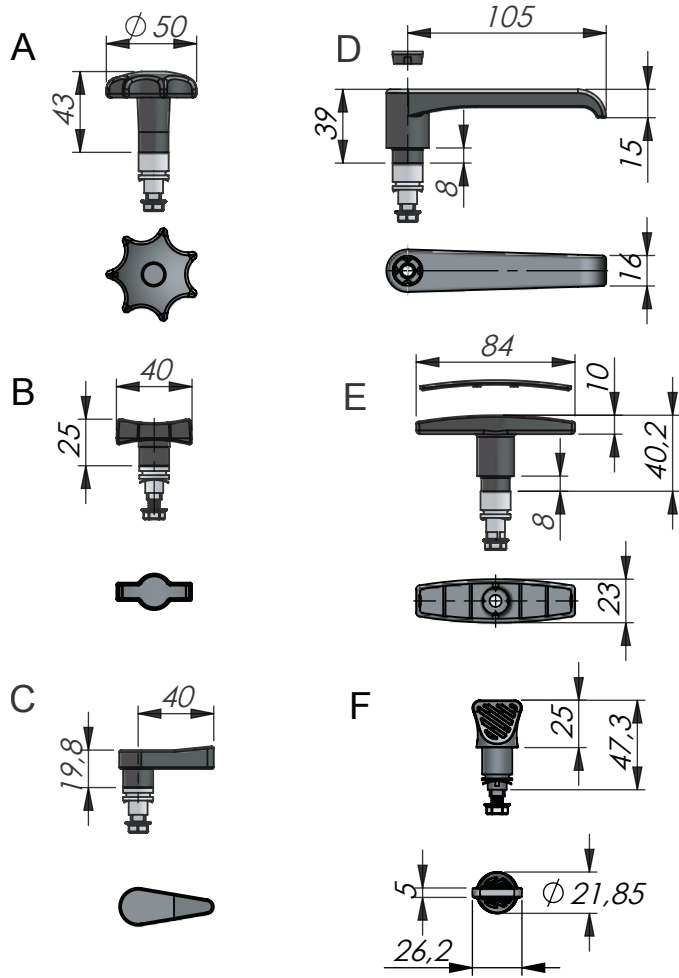




Material:

- Handles, knobs and covers: Zinc die-cast and/or glass fibre reinforced polyamide (PA6GF30).
- Screw: Steel, zinc plated.
- Washer: Steel, zinc plated or stainless steel (304).



Handles and knobs for quarter turn latches in two versions:

For standard insert: The handles can be mounted afterwards, parts do not protrude during transportation. Supplied with screw and screw cover.

Cast-in insert: Any application requiring a permanently fitted handle.

Handles and Knobs for Standard Insert

P/N	Description	For insert	Drawing
295068	Wing knob	Square 8 / M6	B
295069	Wing knob	Triangle 10 / M6	B
295068-RF	Wing knob for SS (304)	Square 8 / M6 SS (304)	B
295070	Star knob	Square 8 / M6	A
295071	Star knob	Triangle 10 / M6	A
295070-RF	Star knob for SS (304)	Square 8 / M6 SS (304)	A
295072	Star knob "Open - Close"	Square 8 / M6	A
295073	Star knob "Open - Close"	Triangle 10 / M6	A
255069	T-handle	Square 8 / M6	E
265056	L-handle	Square 8 / M6	D

Handles and Knobs with Cast-In Insert

P/N	Description	For Housing	Drawing
295074	Wing knob	18 mm	B
295074-IB	Wing knob	18 mm - IB	B
295075	Star knob	18 mm	A
295078	Drop-shaped handle	18 mm	C
295082-12IB	Wing knob	12 mm - IB	F