

## DL2230

### Diffuse Dome Light



- Aii** A modified, extremely efficient integrating light source
- Aii** Compact, space saving design - ideally suited for inspecting small, specular objects

#### Ordering Information

Standard Product:  
Shipped Next Day

**DL2230**

P/N: DL2230-660  
Configured for use with Ai  
Power Supply

Standard Product Variation:  
Shipped Within Two Weeks

	Spectral wavelength	Optional power Compatibility	Alternative Connector
DL2230 -	XXX	XX	XXX
	(UV) 395 <sup>◇</sup>	IC	M12*
	(blue) 470 <sup>†</sup>	IS	
	(green) 520 <sup>†</sup>	C2	
	(yellow) 590 <sup>†</sup>	C3	
	(orange) 625	C5	
	(red) 660	12	
	(infra-red) 880	24	
	(White) WHI <sup>†</sup>		

IC = ICS (requires 24v power supply)

IS = ISU (requires 24v power supply)

C2 = Ai Connector

C3 = Pulsar 710 Connector

C5 = Pulsar 320 Connector

\* Available with IC and 24v options only

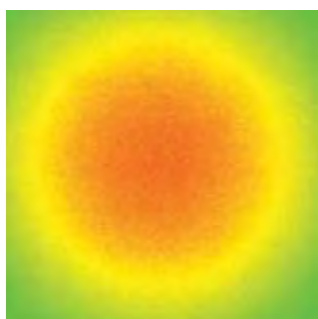
† Not available in 12v

**Optimal working distance:**  
12.7mm (.5")  
**Effective Working Range:**  
12.7-50mm (.5"-2")

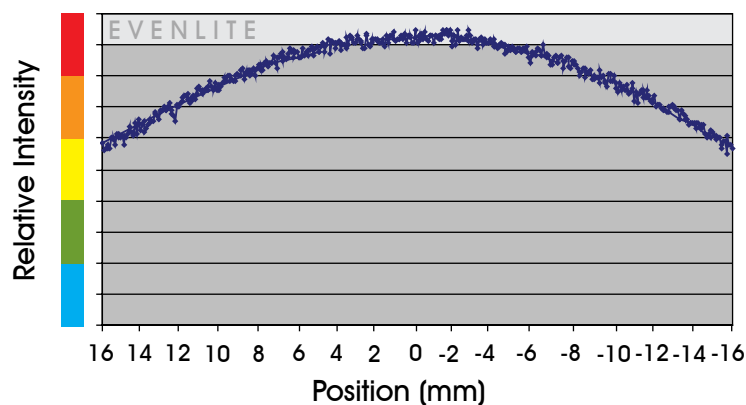
◇ UV LEDs have a considerably shorter half-life than other LEDs (<1000hrs). For this reason Ai recommends these LEDs be used in strobe mode only. For applications requiring continuous 24v power, contact Ai for assistance.

#### Light Consistency Information

Intensity Distribution

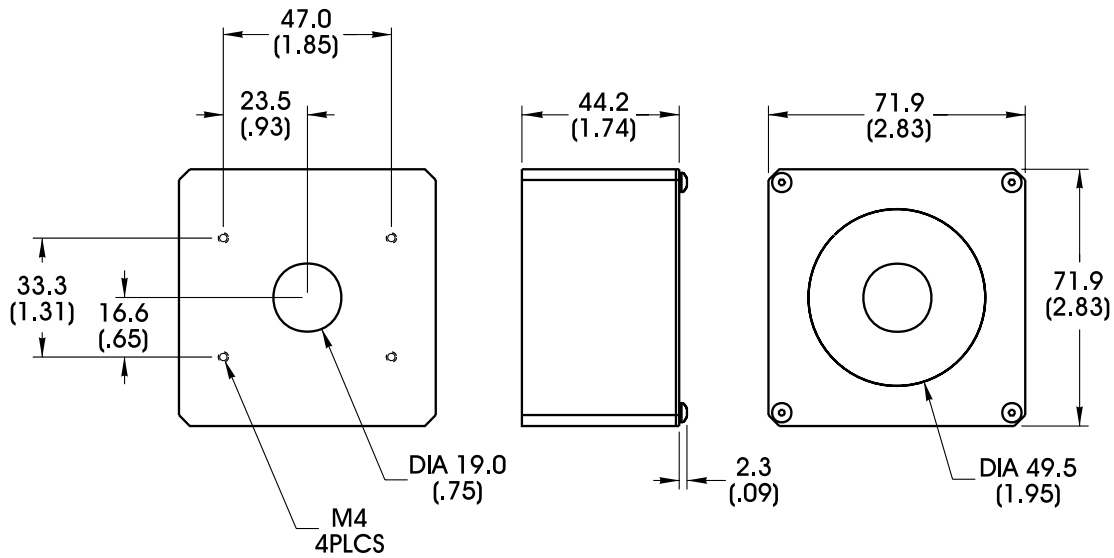


Intensity Cross Section



Dimensional Information

[Click for Installation Models & Drawings](#)



DIMENSIONS ARE IN MILLIMETERS (INCHES)

Standard Variation Current Specifications

	blue	green	yellow	orange	red	infra-red	white	RGB	
@12	N/A	N/A	120	120	120	120	N/A	N/A	mA
@24	120	120	60	60	60	60	120	N/A	mA
Ai	240	240	120	120	120	120	240	N/A	

General Specifications

Weight:	438 g (15.4 oz)
Finish:	Black Anodized
Operating Temperature:	0-60°C
Meets Specifications:	CE, RoHS

Standard Product Information

Red	Max. Illumination	Irradiance (mW/cm <sup>2</sup> )	Illuminance (Lux)
	Working Distance: 12.5mm	.99	790
	Working Distance: 25.4mm	.59	460
	Lifetime	50,000 hrs	
White	Max. Illumination	Irradiance (mW/cm <sup>2</sup> )	Illuminance (Lux)
	Working Distance: 12.5mm	1.34	490
	Working Distance: 25.4mm	.81	290
	Lifetime	10,000 hrs	

Additional Information