

125-150 A

U MAX
1000 V AC
1500 V DC

DECONTACTOR™ DS9 METAL

INSTRUCTIONS FOR USE



- IP66
IP67
IP69
- 25-70 mm² (1)
25-95 mm² (2)
- METAL
- IK10
- 40 °C
+60 °C
- AC-22A
AC-23A
DC-21A
- 60309-1
60309-4
60947-3
- 6 AUX. (3)
- EMC

(1) Flexible wiring [min.-max.].
(2) Stranded wiring [min.-max.].
(3) Flexible wiring : 2,5 mm².

LOAD-BREAK CAPABILITY OF THE DECONTACTOR™

Comply with IEC/EN 60309-1 and IEC/EN 60309-4 standards	150 A/690 V
Load-break capability according to IEC/EN 60947-3/AC-22A	(90 A/690 V) or (150 A/600 V)
Load-break capability according to IEC/EN 60947-3/AC-23A	100 A/440 V
Load-break capability according to IEC/EN 60947-3/DC-21A	150 A/250 V
Short-circuit current I _{cc}	10 kA
Power kW AC-22A/AC-23A	80 kW

! Other configurations on request.

GRP devices are not compatible with metal devices.



! Each inlet should be connected to a wall box, a sleeve or a handle to ensure correct operation of the closing mechanism.

380-440 V AC	3P+E	3994013	3998013
190-250 V AC 380-440 V AC	3P+N+E	3994017	3998017
660-690 V AC	3P+E	3994193	3998193
660-690 V AC	3P+N+E	3994197	3998197
1 000 V AC*	3P+E	3994223	3998223
Auxiliaries 10 A/400 V AC	+ 2 contacts	Ref. + 262	Ref. + 262
Auxiliaries 10 A/400 V AC	+ 4 contacts	Ref. + 264	Ref. + 264
Auxiliaries 10 A/400 V AC	+ 6 contacts	Ref. + 976	Ref. + 976

► Other currents, voltages, frequencies and contact configurations are available (see page 21).
* Switch rating up to 125 A.

OPTIONS	Reference
LOCKING PIN FOR 2 PADLOCKS Ø 4 TO 8 mm (PADLOCKS NOT SUPPLIED)	
Socket-outlet ref. + 843	
SAFETY HASP FOR UP TO 6 PADLOCKS	
399A541	
ALLEN-SCREW LOCKING LATCH	
Direct latch locking, no padlocking option.	Socket-outlet ref. + 22
INLET CAP IP66/IP67	
319A426	
SELF-RETURNING LID: IP40 LID CLOSED: IP66/IP67/IP69	
Socket-outlet ref. + R	
ELECTROMAGNETIC COMPATIBILITY (EMC)	
Please order a metal threaded accessory herewith, together with a EMC cable gland to be found on page 352.	

HANDLE	Input/Cable outer Ø	Reference	Self-ejection
ELASTOMER HANDLE WITH GLAND			
	18-25 mm	555P0D25	Ref. +443
	25-35 mm	555P0D35	Ref. +443
	35-45 mm	555P0D45	Ref. +443
	45-49 mm	555P0D49	Ref. +443
POLY HANDLE + POLY CABLE GLAND			
	14-25 mm	515P032P	/
	18-32 mm	515P040P	/
	24-38 mm	515P050P	/
	35-48 mm	515P063P	Ref. +443

POLY HANDLE (WITHOUT CABLE GLAND)	Reference
	M50 515P0M50 /
	M63 515P0M63 /

METAL HANDLE WITH METAL GLAND (+ EARTHING WIRE)	Reference
	16-24 mm 595P032M /
	22-32 mm 595P040M /
	34-44 mm 595P050M /
	35-48 mm 595P063M /

METAL HANDLE METRIC THREAD ENTRY (WITHOUT CABLE GLAND)	Reference
	M32 595P0M32 /
	M40 595P0M40 /
	M50 595P0M50 /
	M63 595P0M63 /

BOXES	Input	Reference
METAL BOX (+ EARTHING WIRE) + POLY SLEEVE		
	30° M32	515C3M32
	30° M40	515C3M40
	30° M50	515C3M50
	30° M63	515C3M63
METAL BOX (+ EARTHING WIRE) + METAL SLEEVE		
	30° M32	595C3M32
	30° M40	595C3M40
	30° M50	595C3M50
	30° M63	595C3M63
	0° (Straight) M32	595C0M32
	0° (Straight) M40	595C0M40
	0° (Straight) M50	595C0M50
	0° (Straight) M63	595C0M63
	70° M32	595C7M32
	70° M40	595C7M40
	70° M50	595C7M50
	70° M63	595C7M63
METAL BOX (+ EARTHING WIRE) + METAL SLEEVE + CORNET		
	0° (Straight) M50	595E0M50
	30° M50	595E3M50
	30° M63	595E3M63
	70° M50	595E7M50
	70° M63	595E7M63

Cable glands are not delivered with the boxes.

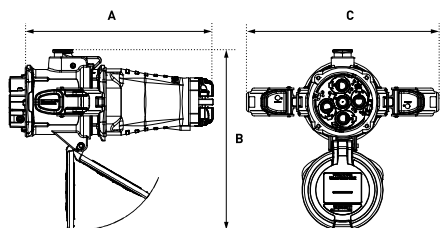
SLEEVE	Reference
POLY SLEEVE	
	30° 515M3
METAL SLEEVE	
	0° (Straight) 595M0
	30° 595M3
	70° 595M7

DRAWINGS AND DIMENSIONS



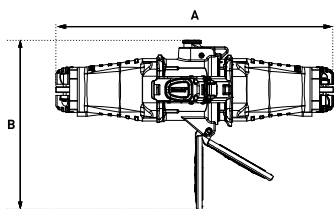
DOWNLOAD THE DRAWINGS ON OUR WEBSITE marechal.com

PLUG ON SOCKET-OUTLET



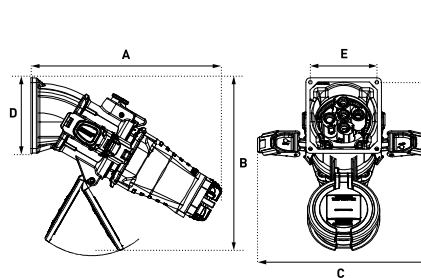
A	B	C
313	299	322

COUPLER



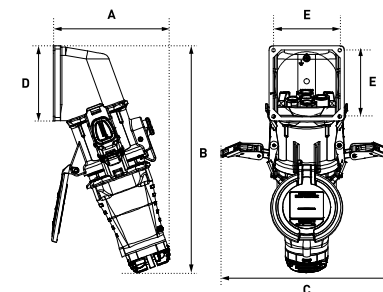
A	B
490	299

PLUG ON 30° INCLINED SOCKET-OUTLET



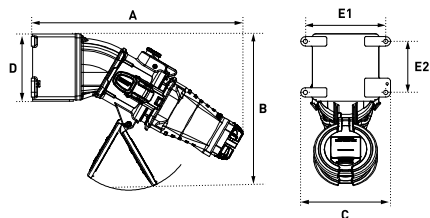
A	B	C	D	E
355	331	322	141	124

PLUG ON 70° INCLINED SOCKET-OUTLET



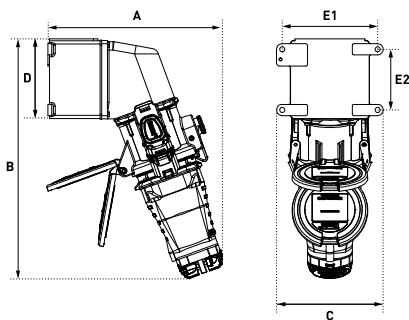
A	B	C	D	E
217	424	322	141	124

PLUG ON 30° WALL MOUNTED SOCKET-OUTLET



A	B	C	D	E1	E2
448	330	322	142	170	108

PLUG ON 70° WALL BOX MOUNTED SOCKET



A	B	C	D	E1	E2
310	426	190	142	170	108

