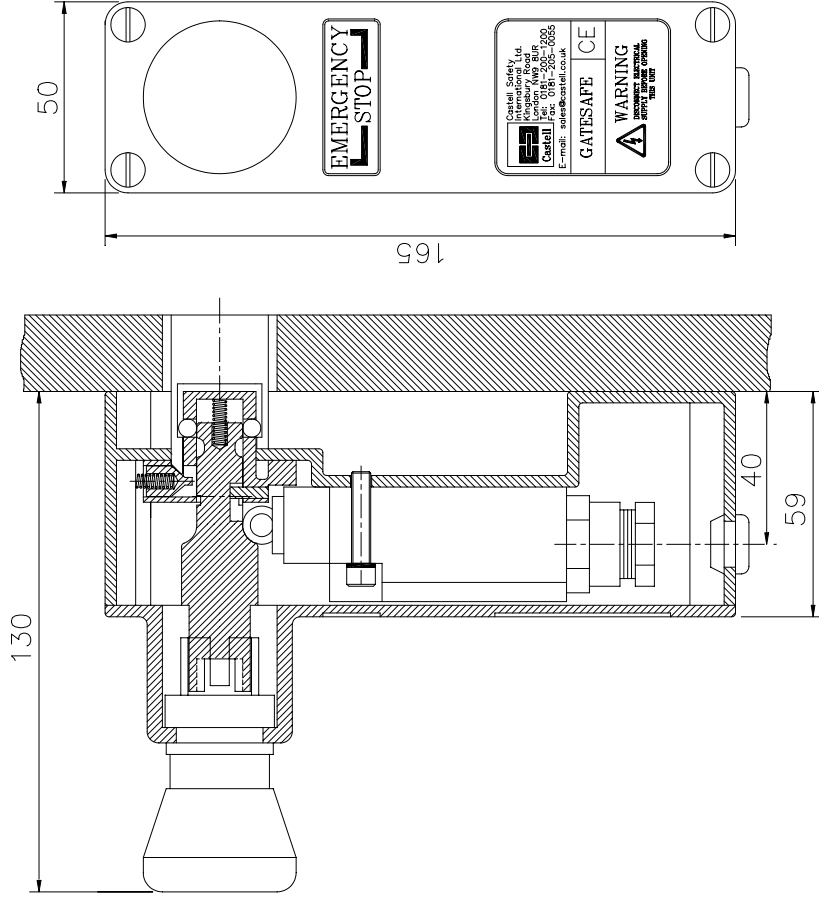


DIMENSIONS: (for reference only)

GATESAFE



Castell Safety International Limited
 217 Kingsbury Road
 London NW9 9PQ
 Tel: 0208 200 1200 Fax: 0208 205 0055
<http://www.castell.com>
 e-mail: sales@castell.co.uk



HALMA GROUP COMPANY



GATESAFE

INSTALLATION - MAINTENANCE INSTRUCTIONS TECHNICAL SPECIFICATION

IMPORTANT: The unit must be installed by a competent and qualified person who has read and understood these instructions. Please retain this document.

GENERAL: The Castell Gatesafe is an emergency exit device that can be fitted to left & right hand hinged doors. It is suitable for full body access areas where personnel safety keys are not deployed. The Gatesafe should be used in conjunction with the Castell bolt access locks, typically the MAI & AI access locks & MAIE & AIE double key access locks.

INSTALLATION:

1. The Gatesafe unit should be mounted inside the guarded area. The main body is attached to the framework (door jamb) surrounding the door using 4 off suitable screws (see page 2 for mfg. template).

2. The access lock should be fitted outside the guarded area, the lock is attached to the door using 4 off suitable M6 bolts. The access lock coded bracket passes through the pre drilled hole in the door jamb to interface with the Gatesafe.

3. The switch contacts provide 2N/C forced break contacts for connection to the machines safe circuit or safety relay contacts, and 1N/O contact for connection to the machines PLC or alarm system.

4. Switch contacts should be connected by a qualified electrical engineer in accordance with the latest edition of IEE regulations. Refer to contact wiring diagram shown on page 2.

OPERATION:

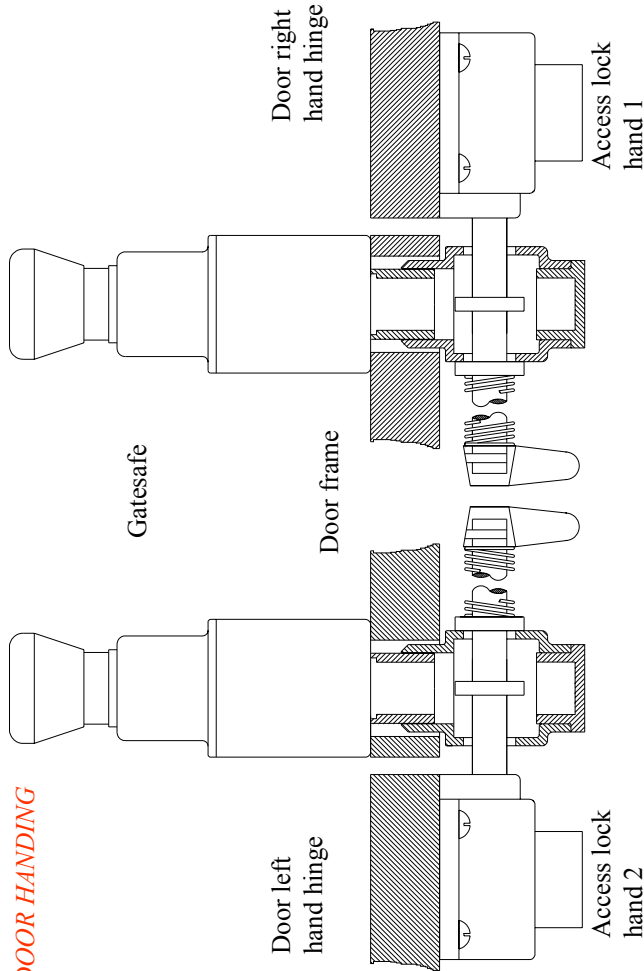
Gatesafe can provide category 4 safety when connected via the machines safety relay.

Under normal operating conditions the key is trapped in machines key switch isolator / disconnecter and the access bolt is locked to prevent access to the guarded area. The key is removed from the key switch isolator, and inserted and turned in the access lock. The lock bolt is then withdrawn to gain entry into the guarded area.

In an emergency, the Gatesafe E-stop button can be hit to kill power and overcome accidental lock in. The E-stop safety contacts will open and the coded bolt will eject simultaneously, to provide a safe exit for the operator.

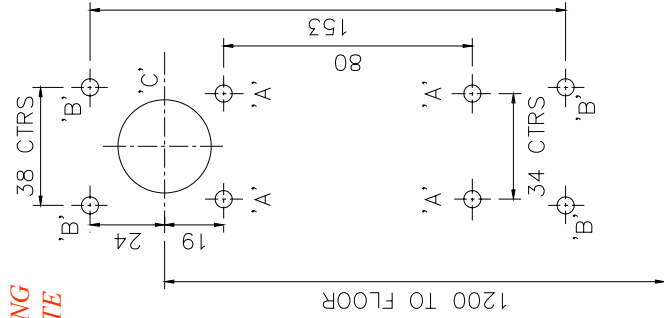
The E-stop button & coded bolt both need to be reset to allow machine start up. The N/O E-stop contact can be connected to an alarm system for signalling.

DOOR HANDING



MOUNTING TEMPLATE

Measure & mark door frame 1200mm (or to local regulations) from the ground & 25mm in from edge of frame as shown. Drill through hole 'C' Ø35mm for coded bolt, hole clearance can be increased to Ø45mm if necessary. The Gatesafe housing can be mounted by either drilling 4 off 'B' through holes 6.5mm dia to utilise 4 M6 tapped holes in housing or, M5(or equivalent) screws can be driven from inside housing as shown 4 off 'A' positions. Fixing brackets are available for mesh guards as an extra option.



MAINTENANCE:

Periodic visual checks should be carried out by the site manager / safety officer.

Every 6 months carry out full mechanical & electrical sequence testing. Remove lid & open switch cover to ensure switch contacts are functioning correctly.

TECHNICAL SPECIFICATION

- Overall Size** Refer to page 4.
- Working temp.** -25 °C (no icing) to +80 °C
- Weight** 1 Kg.
- Material** Aluminium body, stainless coded bolt & internal mechanism.
- Switch standards** IEC 947-5-1, VDE 0660.0113.
- Switch approvals** VDE, UL & CSA.
- Switch ratings** 400v AC max. 6A AC max. Contacts 2 n/c 1 n/o.
- Related standards** EN418, EN292, EN 954, EN60204-1 EN1088.
- Ingress Protection** Switch IP65.
- Door types** Left or right hand hinge.
- Door frames** Customer to specify thickness when placing order. (standard covers 1mm to 50mm.)
- Cable Gland** M20

LOST / REPLACEMENT KEYS:

Records of key & lock coding will be maintained at Castell. If you lose a key or require replacement keys then please contact the Castell sales team for advise. You may be asked to complete a disclaimer to take responsibility for lost / replacement keys.

Optional caps and keys are available upon request.

SERVICES:

Castell engineers are able to carry out risk assessment, install, repair and commission safety systems as well as provide operator and maintenance training.