

ROUND RODS FOR ADAPTERS 25 MM ROLLERS (R) STEEL



Round $\varnothing 8$ mm rod with 25 mm roller, for handles and latches with multi-point cams. The length L in the drawing is the total length from the centre of the hole at flat end, to the end of the roller. Rod model R is used with a rod adapter (to be ordered separately). The adapter adds 14 mm to the total length (see drawing).

This product is delivered in custom lengths and is available on request only.



MATERIAL

Rivet: Steel, zinc plated

Rod: Steel, zinc plated

Roller: Glass fibre reinforced polyamide (PA6GF30)

RELATED PRODUCTS

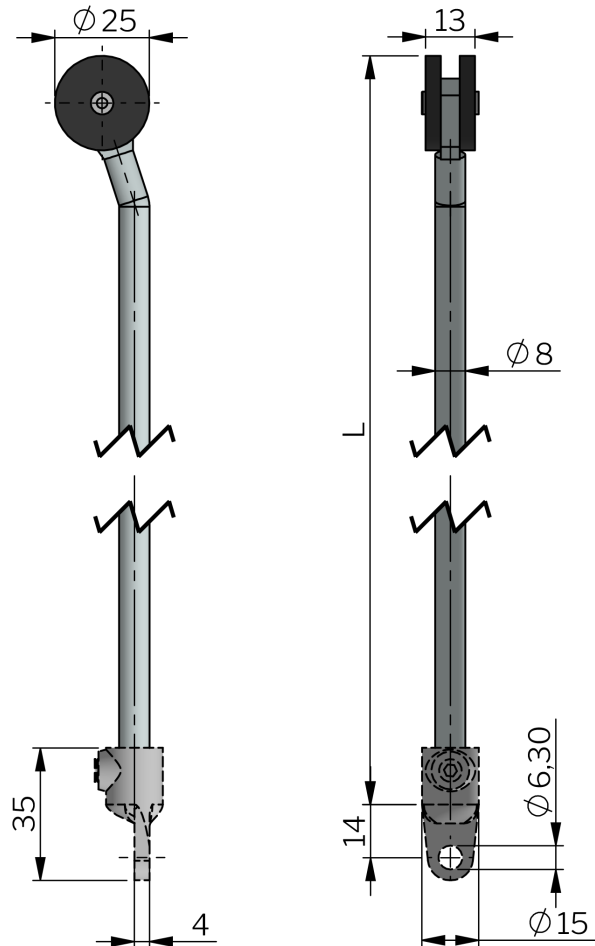
Cams: 2-490, 2-491, 2-500b, 2-510

Rod guides: 2-560, 2-570

Rod adapters: 2-541

Other materials: 2-545

Use the Index Code at industrilas.com



| P/N | Material | Length in mm | Type |
|--------|----------|--------------|-------|
| 282151 | Steel | L=400 mm | Rod R |
| 282152 | Steel | L=500 mm | Rod R |
| 282153 | Steel | L=600 mm | Rod R |
| 282154 | Steel | L=800 mm | Rod R |
| 282155 | Steel | L=900 mm | Rod R |
| 282156 | Steel | L=1000 mm | Rod R |
| 282157 | Steel | L=1100 mm | Rod R |
| 282158 | Steel | L=1200 mm | Rod R |
| 282161 | Steel | L=700 mm | Rod R |