

200-250 A

U MAX
1000 V AC
1500 V DC

DECONTACTOR™ DS2

INSTRUCTIONS FOR USE



IP66 IP67	70-95 mm ² (1) 70-120 mm ² (2)	METAL	IK10	-40 °C +60 °C	AC-22A AC-23A DC-21A	IEC/EN 60309-1 60309-4 60947-3	6 AUX. (3)	EMC

(1) Flexible wiring (min.-max.).
(2) Stranded wiring (min.-max.).
(3) Flexible wiring : 2,5 mm².

LOAD-BREAK CAPABILITY OF THE DECONTACTOR™	
Comply with IEC/EN 60309-1 and IEC/EN 60309-4 standards	(250 A/500 V) or (200 A/690 V)
Load-break capability according to IEC/EN 60947-3/AC-22A	(250 A/400 V) or (125 A/690 V)
Load-break capability according to IEC/EN 60947-3/AC-23A	160 A/440 V
Load-break capability according to IEC/EN 60947-3/DC-21A	200 A/250 V
Short-circuit current I _{cc}	10 kA

Other configurations on request.

Each inlet should be connected to a wall box, a sleeve, a handle or a spacer to ensure correct operation of the closing mechanism.



Voltage	Contact Config	Reference	Reference
380-440 V AC	3P+E	3924013	3928013
190-250 V AC / 380-440 V AC	3P+N+E	3924017	3928017
660-690 V AC	3P+E	3924193	3928193
660-690 V AC	3P+N+E	3924197	3928197
1000 V AC**	3P+E	3924223	3928223
Auxiliaries 5 A/400 V AC	+ 2 contacts	Ref. + 972	Ref. + 972
Auxiliaries 5 A/400 V AC	+ 4 contacts*	Ref. + 174	Ref. + 174
Auxiliaries 5 A/400 V AC	+ 6 contacts*	Ref. + 976	Ref. + 976

► Other currents, voltages, frequencies and contact configurations are available (see page 21).
* These versions cannot be ordered with neutral.
** Switch rating up to 150 A.

OPTIONS	Cable section	Reference
---------	---------------	-----------

LOCKING PIN FOR 2 PADLOCKS Ø 4 TO 8 mm (PADLOCKS NOT SUPPLIED)
Socket-outlet ref. + 843

SAFETY HASP FOR UP TO 6 PADLOCKS
399A541

ALLEN-SCREW LOCKING LATCH
Direct latch locking, no padlocking option.
Socket-outlet ref. + 22

INLET CAP IP66/IP67
392A426

SELF-RETURNING LID: IP40 LID CLOSED: IP66/IP67/IP69
Socket-outlet ref. + R

ELECTROMAGNETIC COMPATIBILITY (EMC)
Please order a metal threaded accessory herewith, together with a EMC cable gland to be found on page 352.

CABLE AMPLIFIER LUGS

	Flexible 120 mm ² Stranded 150 mm ²	392A277150
	Flexible 150 mm ² Stranded 185 mm ²	392A277185

INCOMPATIBILITY
Those products marked with a red dot are incompatible with for use with amplifier ends.

SPACERS (BETWEEN THE WALL BOX OR PANEL)

	Depth 68 mm	5K7M0-68
	Depth 115 mm	5K7M0-115

PADLOCKING/ELECTRO-MECHANICAL INTERLOCKING
Socket-outlet reference + MIL
Check out the details on page 345

BOXES	∠x°	Input	Reference
-------	-----	-------	-----------

METAL BOX (+ EARTHING WIRE) + METAL SLEEVE + CORNET

	60°	M50	596E6M50
	60°	M63	596E6M63
	60°	M75	596E6M75

METAL BOX (+ EARTHING WIRE) + METAL SLEEVE + CORNET

	60°	M63	597E6M63
	60°	M75	597E6M75

Cable glands are not delivered with the boxes.

HANDLE	Input/Cable outer Ø	Reference
--------	---------------------	-----------

ELASTOMER HANDLE WITH GLAND

	25-35 mm	556P0D35
	35-45 mm	556P0D45
	45-49 mm	556P0D49

POLY HANDLE + POLY CABLE GLAND
516P063P

POLY HANDLE (WITHOUT CABLE GLAND)

	M63	516P0M63
	M75	516P0M75

LARGE CAPACITY METAL HANDLE WITH INTEGRATED CABLE CLAMP

	40-50 mm	5K6P0D50
	51-60 mm	5K6P0D60
	61-70 mm	5K6P0D70
	71-80 mm	5K6P0D80
	81-90 mm	5K6P0D90

COMPACT METAL HANDLE METRIC THREAD ENTRY (WITHOUT CABLE GLAND)

	M50	596P0M50
	M63	596P0M63
	M75	596P0M75

SLEEVE	∠x°	Reference
--------	-----	-----------

METAL SLEEVE

	0° (Straight)	596M0
	60°	596M6
	60°	597M6

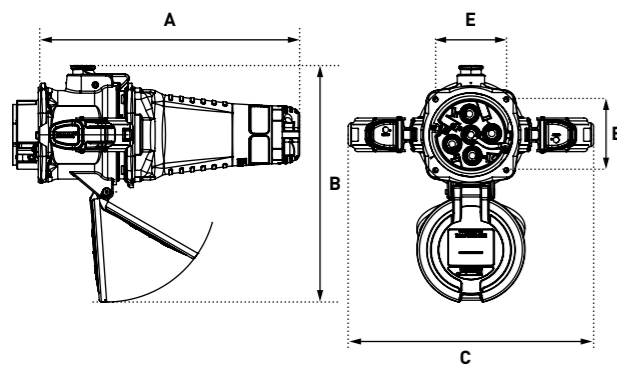
LARGE CAPACITY METAL HANDLE METRIC THREAD ENTRY (WITHOUT CABLE GLAND)

	M40	5K6P0M40L
	M50	5K6P0M50L
	M63	5K6P0M63L
	M75	5K6P0M75L

DRAWINGS AND DIMENSIONS

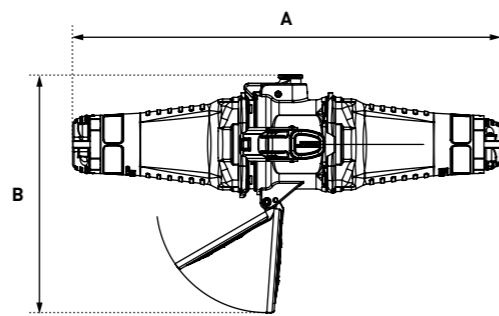
DOWNLOAD THE DRAWINGS ON OUR WEBSITE marechal.com

PLUG ON SOCKET-OUTLET



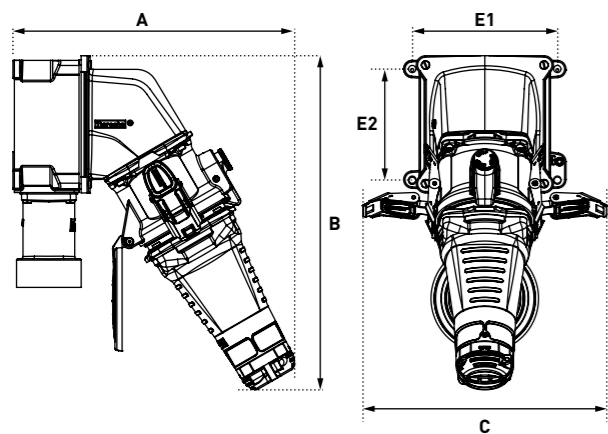
A	B	C	E
362	327	340	98

COUPLER



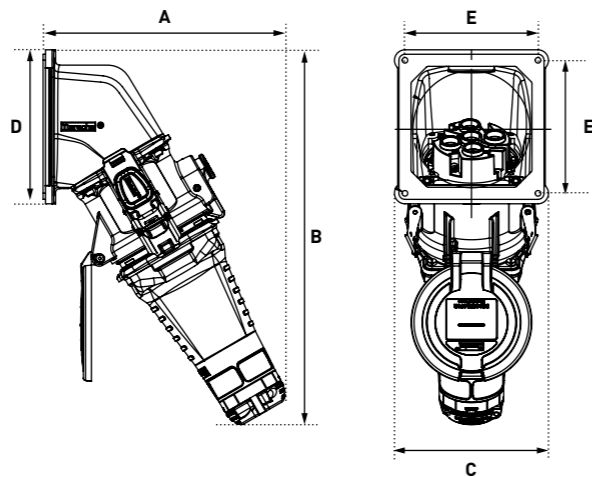
A	B
590	327

PLUG ON 60° WALL BOX MOUNTED SOCKET-OUTLET



A	B	C	E1	E2
392	465	340	202	154

PLUG ON 60° INCLINED SOCKET-OUTLET



A	B	C	D	E
300	465	191	191	165



THERE ARE JOURNEYS



BEYOND CONNECTIONS

Socket outlets for industrial uses, compact and waterproof with integrated switch.

DECONTACTOR™ cover the full range of industrial electrical connection requirements.

Wide choice of options and mounting possibilities available.