

63-90 A

U MAX
1000 V AC
1500 V DC

DECONTACTOR™ DS6 POLY

INSTRUCTIONS FOR USE



IN-LINE CONNECTIONS TO COMMAND
A pair of finger draw plates to aid closing
Reference 316A346

- IP66
IP67
- 10-25 mm² (1)
10-35 mm² (2)
- GRP
- IK09
- 40 °C
+60 °C
- AC-22A
AC-23A
DC-21A
- 60309-1
60309-4
- 4 AUX. (3)

(1) Flexible wiring (min.-max.).
(2) Stranded wiring (min.-max.).
(3) Flexible wiring 2,2 mm².

Other cable sections: please contact us.

GRP devices are not compatible with metal devices.

For a black colour housing replace the second reference character with 5.

Dual-voltage socket-outlet (see p. 22)

LOAD-BREAK CAPABILITY OF THE DECONTACTOR™			
Comply with IEC/EN 60309-1 and IEC/EN 60309-4 standards			(90 A/690 V) or (63 A/1000 V)
Load-break capability according to IEC/EN 60947-3/AC-22A			63 A/690 V
Load-break capability according to IEC/EN 60947-3/AC-23A			90 A/400 V
Load-break capability according to IEC/EN 60947-3/DC-21A			90 A/250 V
Short-circuit current I _{cc}			10 kA
Power kW AC-22A/AC-23A			45 kW



190-250 V AC	1P+N+E	3164015	3168015
380-440 V AC	3P+E	3164013	3168013
190-250 V AC / 380-440 V AC	3P+N+E	3164017	3168017
660-690 V AC	3P+E	3164193	3168193
660-690 V AC	3P+N+E	3164197	3168197
1000 V AC	3P+E	3164223	3168223
Auxiliaries 5 A/500 V AC	+ 2 contacts	Ref. + 972	Ref. + 972
Auxiliaries 5 A/500 V AC	+ 4 contacts	Ref. + 264	Ref. + 264

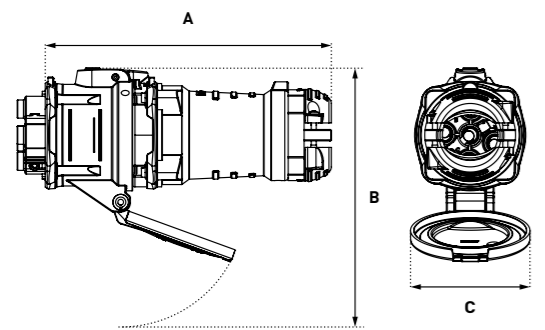
▶ Other currents, voltages, frequencies and contact configurations are available (see page 21).
▶ Existing version for 100A is available, order Reference +228.

OPTIONS	Reference	HANDLE	Input/Cable outer Ø	Reference
LOCKING PIN FOR 2 PADLOCKS Ø 4 TO 8 mm (PADLOCKS NOT SUPPLIED)				
	Socket-outlet ref. + 843		8-16 mm	594P025M
SAFETY HASP FOR UP TO 6 PADLOCKS			16-24 mm	594P032M
	399A541		22-32 mm	594P040M
			34-44 mm	594P050M
LARGER RELEASE BUTTON				
	Socket-outlet ref. + 453			
INLET CAP IP66/IP67				
	316A426			
SELF-RETURNING LID: IP40 LID CLOSED: IP66/IP67/IP69				
	Socket-outlet ref. + R			
IP55 METAL LOCKABLE SELF-CLOSING LID FOR INLET				
	316A226			
SELF-EJECTION				
	See page 208			
PRODUCTS AVAILABLE IN BLACK				
The black dot means these products are also available in black color. Replace the second character of the product reference with 5				
HANDLE	Input/Cable outer Ø	Reference	Self-ejection	
ELASTOMER HANDLE WITH GLAND				
	14-20 mm	554P0D20L	Ref. +443	
	18-25 mm	554P0D25L	Ref. +443	
	25-35 mm	554P0D35L	Ref. +443	
	35-45 mm	554P0D45L	Ref. +443	
	45-49 mm	554P0D49L	Ref. +443	
POLY HANDLE WITH GLAND				
	13-35 mm	514P0D35	/	
POLY HANDLE + POLY CABLE GLAND				
	14-25 mm	514P032P	Ref. +443	
	18-32 mm	514P040P	Ref. +443	
	24-38 mm	514P050P	Ref. +443	
POLY HANDLE (WITHOUT CABLE GLAND)				
	M32	514P0M32	Ref. +443	
	M40	514P0M40	Ref. +443	
	M50	514P0M50	/	
METAL HANDLE METRIC THREAD ENTRY (WITHOUT CABLE GLAND)				
	M25	594P0M25	/	
	M32	594P0M32	/	
	M40	594P0M40	/	
	M50	594P0M50	/	
BOXES	∠x°	Input	Reference	
POLY BOX				
	30°	M32	514B3M32	
	30°	M40	514B3M40	
METAL BOX (+ EARTHING WIRE)				
	20°	M25	594B2M25	
	20°	M32	594B2M32	
	20°	M40	594B2M40	
POLY BOX + POLY SLEEVE				
	70°	Without hole	514C7000	
	70°	Hole Ø 32	514C7M32	
	70°	Hole Ø 40	514C7M40	
METAL BOX (+ EARTHING WIRE) + POLY SLEEVE				
	30°	M25	514C3M25	
	30°	M32	514C3M32	
	30°	M40	514C3M40	
	30°	M50	514C3M50	
METAL BOX (+ EARTHING WIRE) + METAL SLEEVE				
	30°	M25	594C3M25	
	30°	M32	594C3M32	
	30°	M40	594C3M40	
	30°	M50	594C3M50	
	0° (Straight)	M25	594C0M25	
	0° (Straight)	M32	594C0M32	
	0° (Straight)	M40	594C0M40	
	0° (Straight)	M50	594C0M50	
	70°	M25	594C7M25	
	70°	M32	594C7M32	
	70°	M40	594C7M40	
	70°	M50	594C7M50	
Cable glands are not delivered with the boxes.				
SLEEVE	∠x°	Reference		
POLY SLEEVE				
	30°	514M3		
	70°	514M7		
METAL SLEEVE				
	0° (Straight)	594M0		
	30°	594M3		
	70°	594M7		

DRAWINGS AND DIMENSIONS

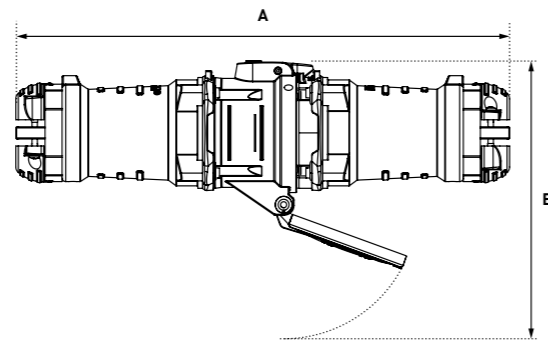
DOWNLOAD THE DRAWINGS ON OUR WEBSITE marechal.com

PLUG ON SOCKET-OUTLET



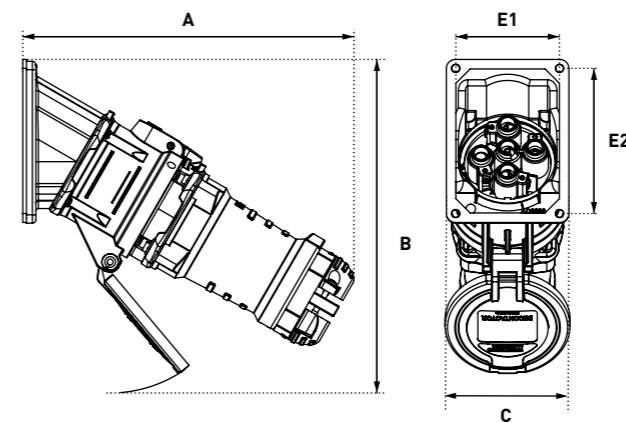
A	B	C
252	228	105

COUPLER



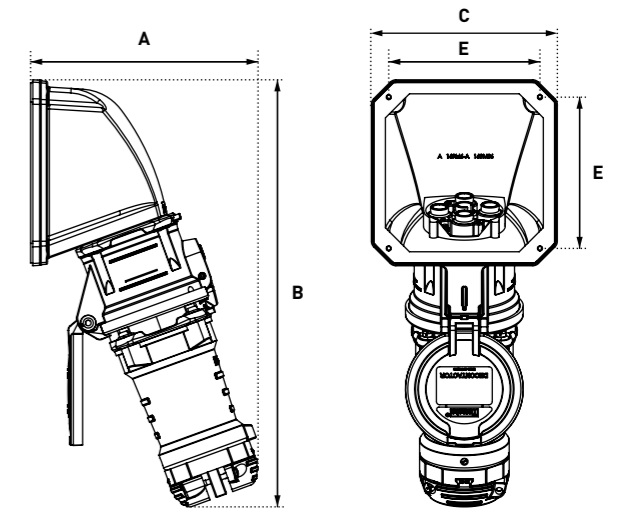
A	B
405	228

PLUG ON 30° INCLINED SOCKET-OUTLET



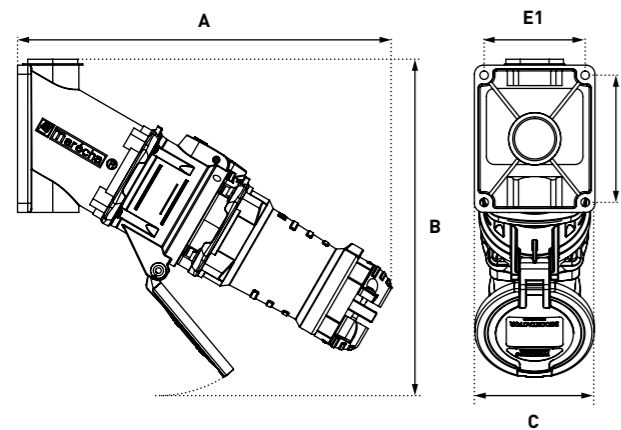
A	B	C	E1	E2
278	280	105	87	122

PLUG ON 70° INCLINED SOCKET-OUTLET



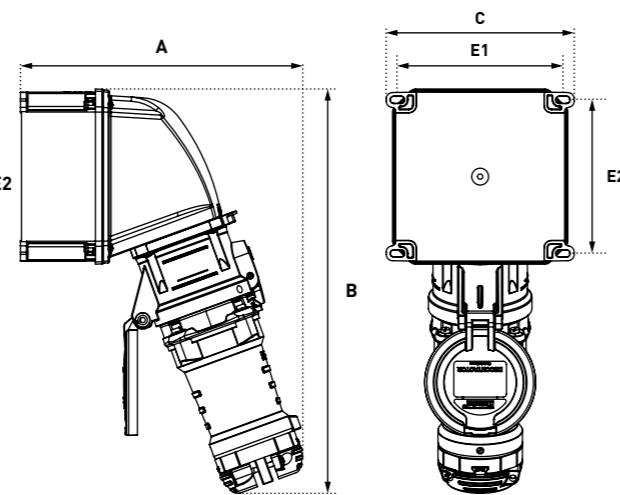
A	B	C	E
203	381	166	135

PLUG ON 30° WALL MOUNTED SOCKET-OUTLET



A	B	C	E1	E2
329	296	105	89	112

PLUG ON 70° WALL-MOUNTED SOCKET-OUTLET



A	B	C	E1	E2
267	383	178	157	145



63-90 A

U MAX
1000 V AC
1500 V DC

DECONTACTOR™ DS6 METAL

INSTRUCTIONS FOR USE



IN-LINE CONNECTIONS TO COMMAND
A pair of finger draw plates to aid closing
Reference 316A346

- IP66
IP67
- 10-25 mm² (1)
10-35 mm² (2)
- METAL
- IK10
- 40 °C
+60 °C
- AC-22A
AC-23A
DC-21A
- 60309-1
60309-4
60947-3
- 4 AUX. (3)
- EMC

(1) Flexible wiring (min.-max.).
(2) Stranded wiring (min.-max.).
(3) Flexible wiring : 2,2 mm².

Other configurations on request.

GRP devices are not compatible with metal devices.

Dual-voltage socket-outlet (see p. 22)

LOAD-BREAK CAPABILITY OF THE DECONTACTOR™		
Comply with IEC/EN 60309-1 and IEC/EN 60309-4 standards		(90 A/690 V) or (63 A/1 000 V)
Load-break capability according to IEC/EN 60947-3/AC-22A		63 A/690 V
Load-break capability according to IEC/EN 60947-3/AC-23A		90 A/400 V
Load-break capability according to IEC/EN 60947-3/DC-21A		90 A/250 V
Short-circuit current I _{cc}		10 kA
Power kW AC-22A/AC-23A		45 kW



Voltage	Contact Config	Reference	Reference
190-250 V AC	1P+N+E	3964015	3968015
380-440 V AC	3P+E	3964013	3968013
190-250 V AC / 380-440 V AC	3P+N+E	3964017	3968017
660-690 V AC	3P+E	3964193	3968193
660-690 V AC	3P+N+E	3964197	3968197
1 000 V AC	3P+E	3964223	3968223
Auxiliaries 5 A/500 V AC	+ 2 contacts	Ref. + 972	Ref. + 972
Auxiliaries 5 A/500 V AC	+ 4 contacts	Ref. + 264	Ref. + 264

▶ Other currents, voltages, frequencies and contact configurations are available (see page 21).
▶ Existing version for 100A is available, order Reference +228.

OPTIONS	Reference
LOCKING PIN FOR 2 PADLOCKS Ø 4 TO 8 mm (PADLOCKS NOT SUPPLIED)	
Socket-outlet ref. + 843	
SAFETY HASP FOR UP TO 6 PADLOCKS	
399A541	
LARGER RELEASE BUTTON	
Socket-outlet ref. + 453	
INLET CAP IP66/IP67	
316A426	
SELF-RETURNING LID: IP40 LID CLOSED: IP66/IP67/IP69	
Socket-outlet ref. + R	
IP55 METAL LOCKABLE SELF-CLOSING LID FOR INLET	
396A226	
ELECTROMAGNETIC COMPATIBILITY (EMC)	
Please order a metal threaded accessory herewith, together with a EMC cable gland to be found on page 352.	
SELF-EJECTION	
See page 208	

BOXES	Input	Reference
POLY BOX		
30°	M32	514B3M32
30°	M40	514B3M40
METAL BOX (+ EARTHING WIRE)		
20°	M25	594B2M25
20°	M32	594B2M32
20°	M40	594B2M40
POLY BOX + POLY SLEEVE		
70°	Without hole	514C7000
70°	Ø 32 mm drill hole	514C7M32
Earth bar ref. : 51AA089	70°	Ø 40 mm drill hole
70°	Ø 40 mm drill hole	514C7M40
METAL BOX (+ EARTHING WIRE) + POLY SLEEVE		
30°	M25	514C3M25
30°	M32	514C3M32
30°	M40	514C3M40
30°	M50	514C3M50
METAL BOX (+ EARTHING WIRE) + METAL SLEEVE		
30°	M25	594C3M25
30°	M32	594C3M32
30°	M40	594C3M40
30°	M50	594C3M50
0° (Straight)	M25	594C0M25
0° (Straight)	M32	594C0M32
0° (Straight)	M40	594C0M40
0° (Straight)	M50	594C0M50
70°	M25	594C7M25
70°	M32	594C7M32
70°	M40	594C7M40
70°	M50	594C7M50

Cable glands are not delivered with the boxes.

HANDLE	Input/Cable outer Ø	Reference	Self-ejection
ELASTOMER HANDLE WITH GLAND			
14-20 mm		554P0D20L	Ref. +443
18-25 mm		554P0D25L	Ref. +443
25-35 mm		554P0D35L	Ref. +443
35-45 mm		554P0D45L	Ref. +443
45-49 mm		554P0D49L	Ref. +443

HANDLE	Input/Cable outer Ø	Reference	Self-ejection
POLY HANDLE WITH GLAND			
13-35 mm		514P0D35	/
POLY HANDLE + POLY CABLE GLAND			
14-25 mm		514P032P	Ref. +443
18-32 mm		514P040P	Ref. +443
24-38 mm		514P050P	Ref. +443
POLY HANDLE (WITHOUT CABLE GLAND)			
M32		514P0M32	Ref. +443
M40		514P0M40	Ref. +443
M50		514P0M50	/

SLEEVE	Reference
POLY	
0° (Straight)	/
30°	514M3
70°	514M7
METAL	
0° (Straight)	594M0
30°	594M3
70°	594M7

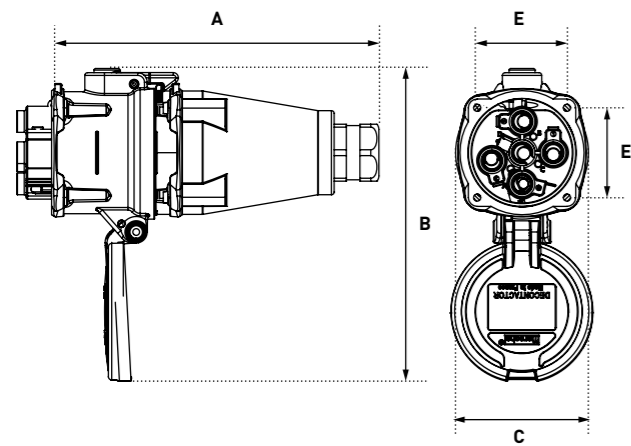
HANDLE	Input/Cable outer Ø	Reference	Self-ejection
METAL HANDLE + METAL CABLE GLAND (+ EARTHING WIRE)			
8-16 mm		594P025M	/
16-24 mm		594P032M	/
22-32 mm		594P040M	/
34-44 mm		594P050M	/
METAL HANDLE METRIC THREAD ENTRY (WITHOUT CABLE GLAND)			
M25		594P0M25	/
M32		594P0M32	/
M40		594P0M40	/
M50		594P0M50	/

DRAWINGS AND DIMENSIONS



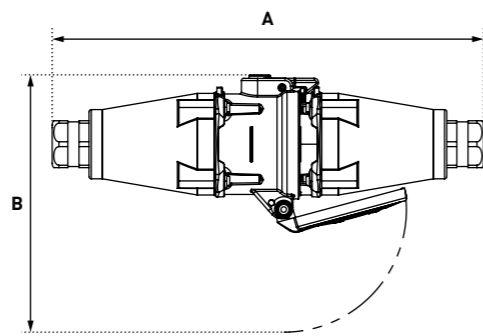
DOWNLOAD
THE DRAWINGS
ON OUR WEBSITE
marechal.com

PLUG ON SOCKET-OUTLET



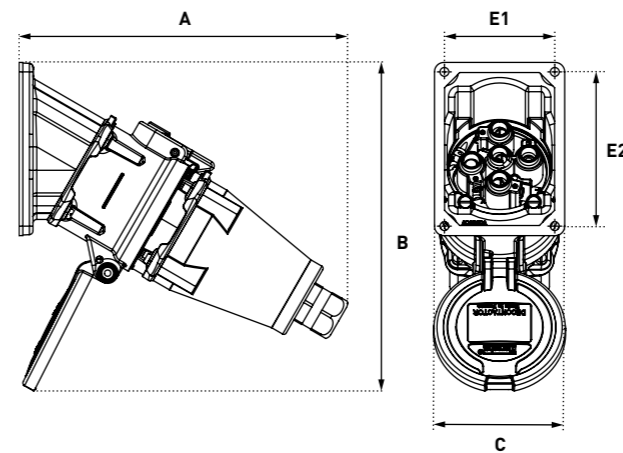
A	B	C	E
241	230	104	66

COUPLER



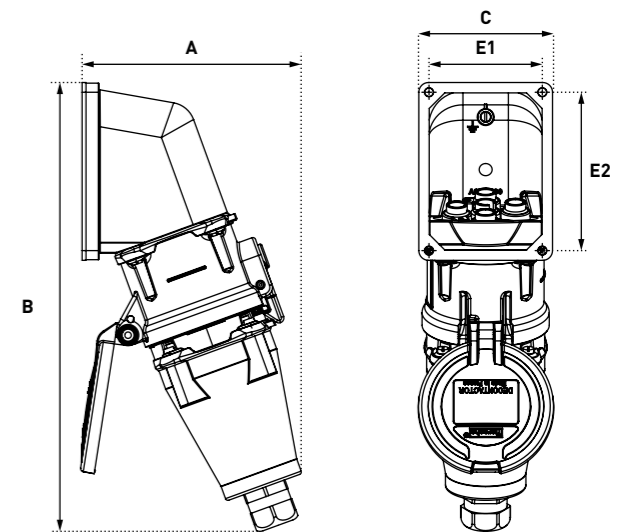
A	B
386	230

PLUG ON 30° INCLINED SOCKET-OUTLET



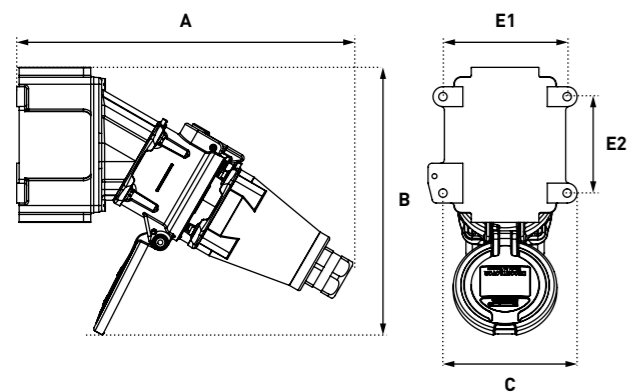
A	B	C	D	E1	E2
279	257	102	136	88	122

PLUG ON 70° INCLINED SOCKET-OUTLET



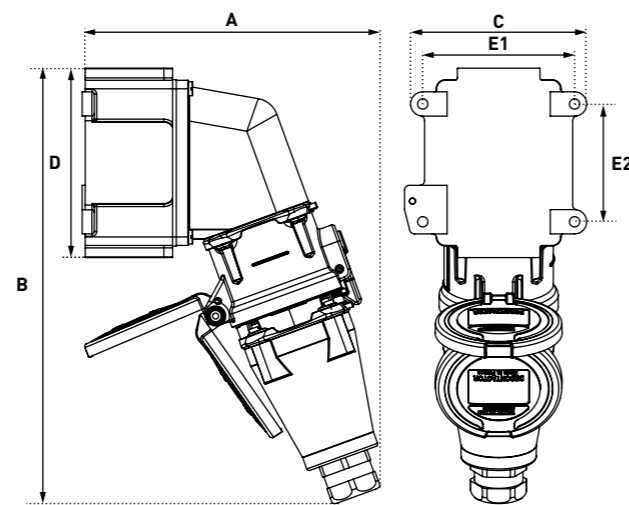
A	B	C	E1	E2
169	346	104	88	122

PLUG ON 30° WALL MOUNTED SOCKET-OUTLET



A	B	C	E1	E2
338	270	135	125	97

PLUG ON 70° WALL-MOUNTED SOCKET-OUTLET



A	B	C	D	E1	E2
246	357	145	166	125	97

