

# 63-90 A

## DECONTACTOR™ DS6 METAL

**U MAX**  
1000 V AC  
1500 V DC

INSTRUCTIONS FOR USE



**IN-LINE CONNECTIONS TO COMMAND**  
A pair of finger draw plates to aid closing  
Reference 316A346

- IP66  
IP67
- 10-25 mm<sup>2</sup> (1)  
10-35 mm<sup>2</sup> (2)
- METAL
- IK10
- 40 °C  
+60 °C
- AC-22A  
AC-23A  
DC-21A
- 60309-1  
60309-4  
60947-3
- 4 AUX. (3)
- EMC

(1) Flexible wiring [min.-max.].  
(2) Stranded wiring [min.-max.].  
(3) Flexible wiring : 2.2 mm<sup>2</sup>.

**Other configurations on request.**

**GRP devices are not compatible with metal devices.**

**Dual-voltage socket-outlet (see p. 22)**

LOAD-BREAK CAPABILITY OF THE DECONTACTOR™			
Comply with IEC/EN 60309-1 and IEC/EN 60309-4 standards	(90 A/690 V) or (63 A/1000 V)		
Load-break capability according to IEC/EN 60947-3/AC-22A	63 A/690 V		
Load-break capability according to IEC/EN 60947-3/AC-23A	90 A/400 V		
Load-break capability according to IEC/EN 60947-3/DC-21A	90 A/250 V		
Short-circuit current I <sub>cc</sub>	10 kA		
Power kW AC-22A/AC-23A	45 kW		



190-250 V AC	1P+N+E	3964015	3968015
380-440 V AC	3P+E	3964013	3968013
190-250 V AC / 380-440 V AC	3P+N+E	3964017	3968017
660-690 V AC	3P+E	3964193	3968193
660-690 V AC	3P+N+E	3964197	3968197
1000 V AC	3P+E	3964223	3968223
Auxiliaries 5 A/500 V AC	+ 2 contacts	Ref. + 972	Ref. + 972
Auxiliaries 5 A/500 V AC	+ 4 contacts	Ref. + 264	Ref. + 264

► Other currents, voltages, frequencies and contact configurations are available (see page 21).  
► Existing version for 100A is available, order Reference +228.

OPTIONS	Reference
<b>LOCKING PIN FOR 2 PADLOCKS Ø 4 TO 8 mm (PADLOCKS NOT SUPPLIED)</b>	
Socket-outlet ref. + 843	
<b>SAFETY HASP FOR UP TO 6 PADLOCKS</b>	
399A541	
<b>LARGER RELEASE BUTTON</b>	
Socket-outlet ref. + 453	
<b>INLET CAP IP66/IP67</b>	
316A426	
<b>SELF-RETURNING LID: IP40 LID CLOSED: IP66/IP67/IP69</b>	
Socket-outlet ref. + R	
<b>IP55 METAL LOCKABLE SELF-CLOSING LID FOR INLET</b>	
396A226	
<b>ELECTROMAGNETIC COMPATIBILITY (EMC)</b>	
Please order a metal threaded accessory herewith, together with a EMC cable gland to be found on page 352.	
<b>SELF-EJECTION</b>	
See page 208	

BOXES	X°	Input	Reference
<b>POLY BOX</b>			
	30°	M32	514B3M32
	30°	M40	514B3M40
<b>METAL BOX (+ EARTHING WIRE)</b>			
	20°	M25	594B2M25
	20°	M32	594B2M32
	20°	M40	594B2M40
<b>POLY BOX + POLY SLEEVE</b>			
	70°	Without hole	514C7000
	70°	Ø 32 mm drill hole	514C7M32
Earth bar ref. : 51AA089	70°	Ø 40 mm drill hole	514C7M40
<b>METAL BOX (+ EARTHING WIRE) + POLY SLEEVE</b>			
	30°	M25	514C3M25
	30°	M32	514C3M32
	30°	M40	514C3M40
	30°	M50	514C3M50
<b>METAL BOX (+ EARTHING WIRE) + METAL SLEEVE</b>			
	30°	M25	594C3M25
	30°	M32	594C3M32
	30°	M40	594C3M40
	30°	M50	594C3M50
	0° (Straight)	M25	594C0M25
	0° (Straight)	M32	594C0M32
	0° (Straight)	M40	594C0M40
	0° (Straight)	M50	594C0M50
	70°	M25	594C7M25
	70°	M32	594C7M32
	70°	M40	594C7M40
	70°	M50	594C7M50

Cable glands are not delivered with the boxes.

HANDLE	Input/Cable outer Ø	Reference	Self-ejection
<b>Elastomer handle with gland</b>			
	14-20 mm	554P0D20L	Ref. +443
	18-25 mm	554P0D25L	Ref. +443
	25-35 mm	554P0D35L	Ref. +443
	35-45 mm	554P0D45L	Ref. +443
	45-49 mm	554P0D49L	Ref. +443

HANDLE	Input/Cable outer Ø	Reference	Self-ejection
<b>Poly handle with gland</b>			
	13-35 mm	514P0D35	/
<b>Poly handle + poly cable gland</b>			
	14-25 mm	514P032P	Ref. +443
	18-32 mm	514P040P	Ref. +443
	24-38 mm	514P050P	Ref. +443
<b>Poly handle (without cable gland)</b>			
	M32	514P0M32	Ref. +443
	M40	514P0M40	Ref. +443
	M50	514P0M50	/

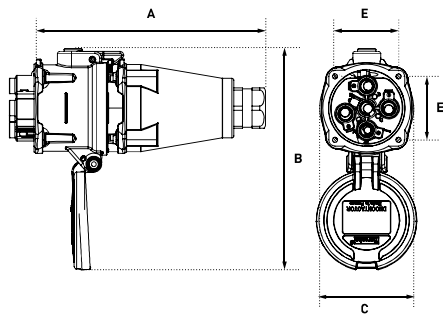
SLEEVE	X°	Reference	
		POLY	METAL
	0° (Straight)	/	594M0
	30°	514M3	594M3
	70°	514M7	594M7

<b>Metal sleeve + metal cable gland (+ earthing wire)</b>			
	8-16 mm	594P025M	/
	16-24 mm	594P032M	/
	22-32 mm	594P040M	/
	34-44 mm	594P050M	/
<b>Metal handle metric thread entry (without cable gland)</b>			
	M25	594P0M25	/
	M32	594P0M32	/
	M40	594P0M40	/
	M50	594P0M50	/

# DRAWINGS AND DIMENSIONS

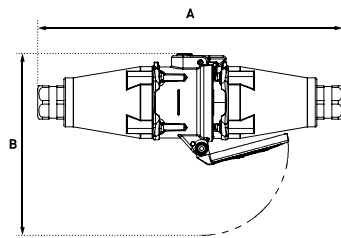
  
 DOWNLOAD  
 THE DRAWINGS  
 ON OUR WEBSITE  
[marechal.com](http://marechal.com)

PLUG ON SOCKET-OUTLET



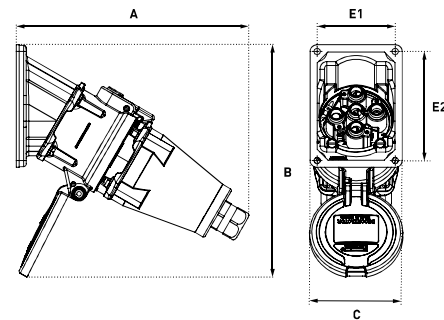
A	B	C	E
241	230	104	66

COUPLER



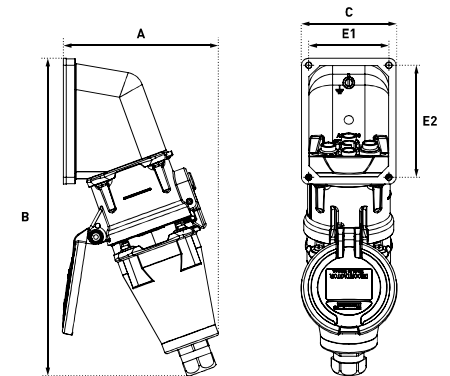
A	B
386	230

PLUG ON 30° INCLINED SOCKET-OUTLET



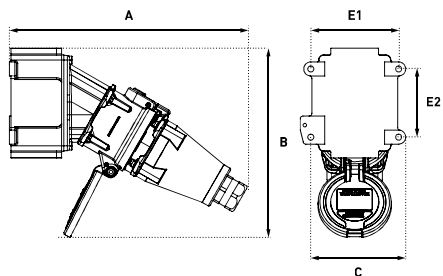
A	B	C	D	E1	E2
279	257	102	136	88	122

PLUG ON 70° INCLINED SOCKET-OUTLET



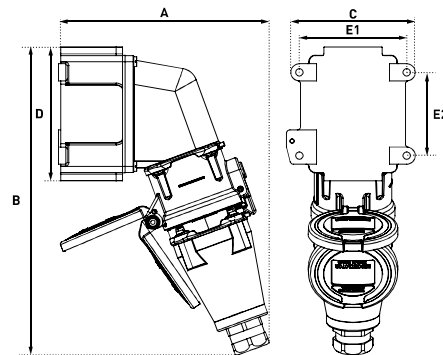
A	B	C	E1	E2
169	346	104	88	122

PLUG ON 30° WALL MOUNTED SOCKET-OUTLET



A	B	C	E1	E2
338	270	135	125	97

PLUG ON 70° WALL-MOUNTED SOCKET-OUTLET



A	B	C	D	E1	E2
246	357	145	166	125	97

