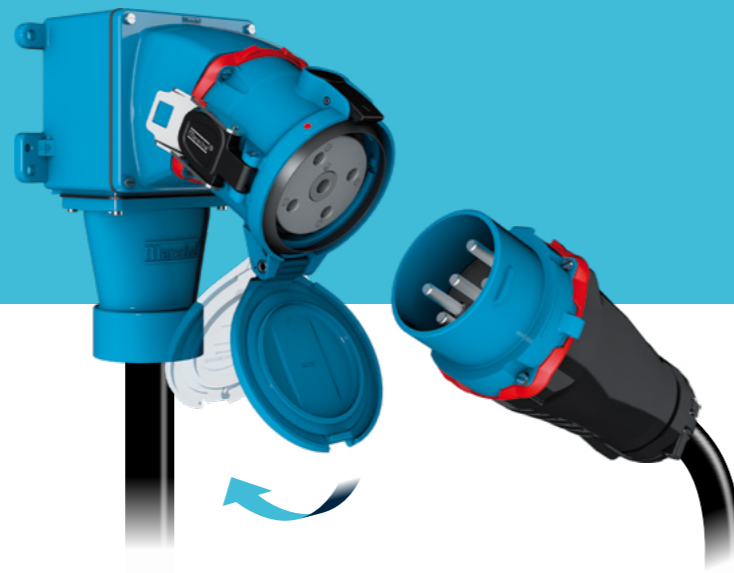


125-150 A

U MAX
1000 V AC
1500 V DC

DECONTACTOR™ DS9 POLY

INSTRUCTIONS FOR USE



IP66	25-70 mm ² (1)	GRP	IK09	-40 °C	AC-22A	60309-1	6 AUX. (3)
IP67	25-95 mm ² (2)			+60 °C	AC-23A	60309-4	
IP69					DC-21A	60947-3	

(1) Flexible wiring (min.-max.).
(2) Stranded wiring (min.-max.).
(3) Flexible wiring : 2,5 mm².

Other configurations on request.

GRP devices are not compatible with metal devices.

Each inlet should be connected to a wall box, a sleeve or a handle to ensure correct operation of the closing mechanism.

For a black colour housing replace the second reference character with 5.

LOAD-BREAK CAPABILITY OF THE DECONTACTOR™			
Comply with IEC/EN 60309-1 and IEC/EN 60309-4 standards			150 A/690 V
Load-break capability according to IEC/EN 60947-3/AC-22A		(90 A/690 V) or (150 A/600 V)	
Load-break capability according to IEC/EN 60947-3/AC-23A			100 A/440 V
Load-break capability according to IEC/EN 60947-3/DC-21A			150 A/250 V
Short-circuit current I _{cc}			10 kA
Power kW AC-22A/AC-23A			80 kW



Voltage	Contact Config	Ref. 1	Ref. 2
380-440 V AC	3P+E	3194013	3198013
190-250 V AC / 380-440 V AC	3P+N+E	3194017	3198017
660-690 V AC	3P+E	3194193	3198193
660-690 V AC	3P+N+E	3194197	3198197
1000 V AC*	3P+E	3194223	3198223
Auxiliaries 10 A/400 V AC	+ 2 contacts	Ref. + 262	Ref. + 262
Auxiliaries 10 A/400 V AC	+ 4 contacts	Ref. + 264	Ref. + 264
Auxiliaries 10 A/400 V AC	+ 6 contacts	Ref. + 976	Ref. + 976

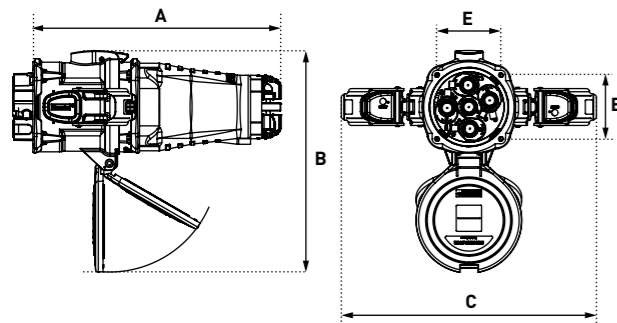
► Other currents, voltages, frequencies and contact configurations are available (see page 21).
* Switch rating up to 125 A.

OPTIONS	Reference	BOXES	Input	Reference
LOCKING PIN FOR 2 PADLOCKS Ø 4 TO 8 mm (PADLOCKS NOT SUPPLIED)		METAL BOX (+ EARTHING WIRE) + POLY SLEEVE		
	Socket-outlet ref. + 843		30°	M32 515C3M32
SAFETY HASP FOR UP TO 6 PADLOCKS			30°	M40 515C3M40
	399A541		30°	M50 515C3M50
LARGER RELEASE BUTTON			30°	M63 515C3M63
	Socket-outlet ref. + 453	METAL BOX (+ EARTHING WIRE) + METAL SLEEVE		
INLET CAP IP66/IP67			30°	M32 595C3M32
	319A426		30°	M40 595C3M40
SELF-RETURNING LID: IP40 LID CLOSED: IP66/IP67/IP69			30°	M50 595C3M50
	Socket-outlet ref. + R		30°	M63 595C3M63
PRODUCTS AVAILABLE IN BLACK			0° (Straight)	M32 595C0M32
The black dot means these products are also available in black color. Replace the second character of the product reference with 5			0° (Straight)	M40 595C0M40
			0° (Straight)	M50 595C0M50
			0° (Straight)	M63 595C0M63
			70°	M32 595C7M32
			70°	M40 595C7M40
			70°	M50 595C7M50
			70°	M63 595C7M63
HANDLE	Input/Cable outer Ø	Reference	METAL BOX (+ EARTHING WIRE) + METAL SLEEVE + CORNET	
ELASTOMER HANDLE WITH GLAND			0° (Straight)	M50 595E0M50
	18-25 mm	555P0D25	30°	M50 595E3M50
	25-35 mm	555P0D35	30°	M63 595E3M63
	35-45 mm	555P0D45	70°	M50 595E7M50
	45-49 mm	555P0D49	70°	M63 595E7M63
POLY HANDLE + POLY CABLE GLAND			Cable glands are not delivered with the boxes.	
	14-25 mm	515P032P	70°	M50 595E7M50
	18-32 mm	515P040P	70°	M63 595E7M63
	24-38 mm	515P050P		
	35-48 mm	515P063P		
POLY HANDLE (WITHOUT CABLE GLAND)			SLEEVE	Reference
	M50	515P0M50		
	M63	515P0M63		
METAL HANDLE WITH METAL GLAND (+ EARTHING WIRE)			POLY SLEEVE	
	16-24 mm	595P032M		
	22-32 mm	595P040M	30°	515M3
	34-44 mm	595P050M		
	35-48 mm	595P063M		
METAL HANDLE METRIC THREAD ENTRY (WITHOUT CABLE GLAND)			METAL SLEEVE	
	M32	595P0M32		
	M40	595P0M40	0° (Straight)	595M0
	M50	595P0M50	30°	595M3
	M63	595P0M63	70°	595M7

DRAWINGS AND DIMENSIONS

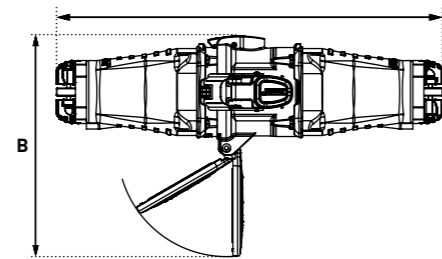
DOWNLOAD THE DRAWINGS ON OUR WEBSITE marechal.com

PLUG ON SOCKET-OUTLET



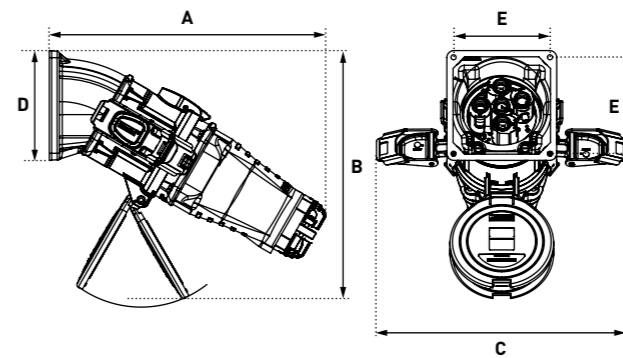
A	B	C	E
313	279	322	81

COUPLER



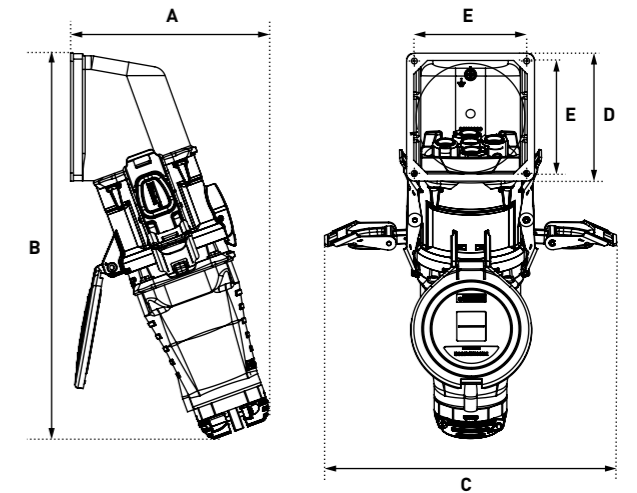
A	B
491	280

PLUG ON 30° INCLINED SOCKET-OUTLET



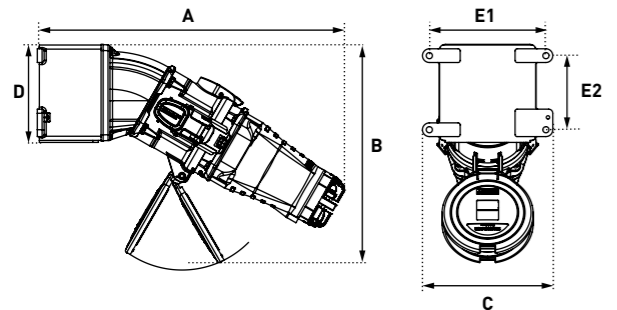
A	B	C	D	E
355	329	322	141	124

PLUG ON 70° INCLINED SOCKET-OUTLET



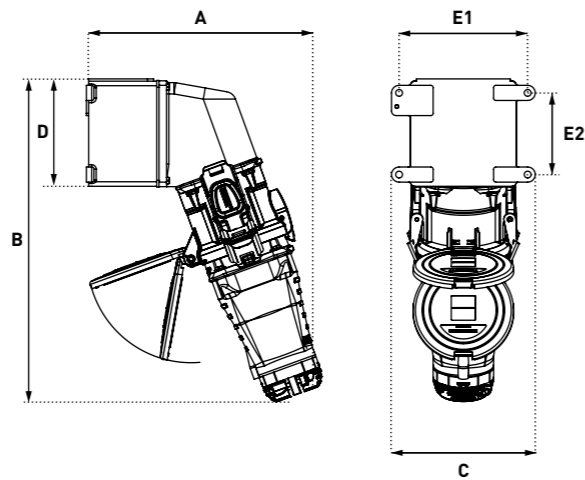
A	B	C	D	E
218	425	322	140	124

PLUG ON 30° WALL MOUNTED SOCKET-OUTLET



A	B	C	D	E1	E2
448	265	190	142	170	108

PLUG ON 70° WALL BOX MOUNTED SOCKET



A	B	C	D	E1	E2
311	427	190	142	170	108



125-150 A

U MAX
1000 V AC
1500 V DC

DECONTACTOR™ DS9 METAL

INSTRUCTIONS FOR USE



IP66 IP67 IP69	25-70 mm ² (1) 25-95 mm ² (2)	METAL	IK10	-40 °C +60 °C	AC-22A AC-23A DC-21A	60309-1 60309-4 60947-3	6 AUX. (3)	EMC

(1) Flexible wiring (min.-max.).
(2) Stranded wiring (min.-max.).
(3) Flexible wiring : 2,5 mm².

Other configurations on request.

GRP devices are not compatible with metal devices.

Each inlet should be connected to a wall box, a sleeve or a handle to ensure correct operation of the closing mechanism.

LOAD-BREAK CAPABILITY OF THE DECONTACTOR™	
Comply with IEC/EN 60309-1 and IEC/EN 60309-4 standards	150 A/690 V
Load-break capability according to IEC/EN 60947-3/AC-22A	(90 A/690 V) or (150 A/600 V)
Load-break capability according to IEC/EN 60947-3/AC-23A	100 A/440 V
Load-break capability according to IEC/EN 60947-3/DC-21A	150 A/250 V
Short-circuit current I _{cc}	10 kA
Power kW AC-22A/AC-23A	80 kW



380-440 V AC	3P+E	3994013	3998013
190-250 V AC 380-440 V AC	3P+N+E	3994017	3998017
660-690 V AC	3P+E	3994193	3998193
660-690 V AC	3P+N+E	3994197	3998197
1000 V AC*	3P+E	3994223	3998223
Auxiliaries 10 A/400 V AC	+ 2 contacts	Ref. + 262	Ref. + 262
Auxiliaries 10 A/400 V AC	+ 4 contacts	Ref. + 264	Ref. + 264
Auxiliaries 10 A/400 V AC	+ 6 contacts	Ref. + 976	Ref. + 976

► Other currents, voltages, frequencies and contact configurations are available (see page 21).
* Switch rating up to 125 A.

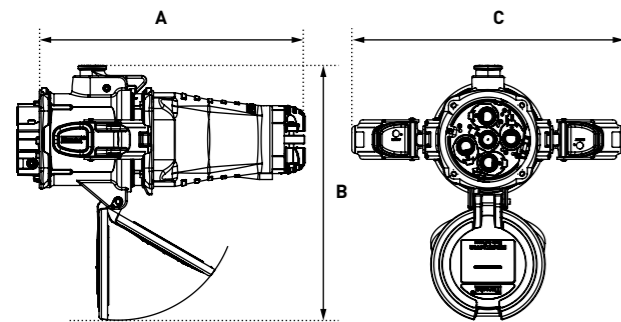
OPTIONS	Reference	BOXES	Input	Reference
LOCKING PIN FOR 2 PADLOCKS Ø 4 TO 8 mm (PADLOCKS NOT SUPPLIED)		METAL BOX (+ EARTHING WIRE) + POLY SLEEVE		
	Socket-outlet ref. + 843		30°	M32 515C3M32
SAFETY HASP FOR UP TO 6 PADLOCKS			30°	M40 515C3M40
	399A541		30°	M50 515C3M50
ALLEN-SCREW LOCKING LATCH			30°	M63 515C3M63
Direct latch locking, no padlocking option.	Socket-outlet ref. + 22	METAL BOX (+ EARTHING WIRE) + METAL SLEEVE		
INLET CAP IP66/IP67			30°	M32 595C3M32
	319A426		30°	M40 595C3M40
SELF-RETURNING LID: IP40 LID CLOSED: IP66/IP67/IP69			30°	M50 595C3M50
	Socket-outlet ref. + R		30°	M63 595C3M63
ELECTROMAGNETIC COMPATIBILITY (EMC)			0° (Straight)	M32 595C0M32
Please order a metal threaded accessory herewith, together with a EMC cable gland to be found on page 352.			0° (Straight)	M40 595C0M40
			0° (Straight)	M50 595C0M50
			0° (Straight)	M63 595C0M63
			70°	M32 595C7M32
			70°	M40 595C7M40
			70°	M50 595C7M50
			70°	M63 595C7M63
		METAL BOX (+ EARTHING WIRE) + METAL SLEEVE + CORNET		
			0° (Straight)	M50 595E0M50
			30°	M50 595E3M50
			30°	M63 595E3M63
			70°	M50 595E7M50
			70°	M63 595E7M63
		Cable glands are not delivered with the boxes.		
HANDLE	Input/Cable outer Ø	Reference	Self-ejection	
ELASTOMER HANDLE WITH GLAND				
	18-25 mm	555P0D25	Ref. +443	
	25-35 mm	555P0D35	Ref. +443	
	35-45 mm	555P0D45	Ref. +443	
	45-49 mm	555P0D49	Ref. +443	
POLY HANDLE + POLY CABLE GLAND				
	14-25 mm	515P032P	/	
	18-32 mm	515P040P	/	
	24-38 mm	515P050P	/	
	35-48 mm	515P063P	Ref. +443	
POLY HANDLE (WITHOUT CABLE GLAND)				
	M50	515P0M50	/	
	M63	515P0M63	/	
METAL HANDLE WITH METAL GLAND (+ EARTHING WIRE)				
	16-24 mm	595P032M	/	
	22-32 mm	595P040M	/	
	34-44 mm	595P050M	/	
	35-48 mm	595P063M	/	
METAL HANDLE METRIC THREAD ENTRY (WITHOUT CABLE GLAND)				
	M32	595P0M32	/	
	M40	595P0M40	/	
	M50	595P0M50	/	
	M63	595P0M63	/	
				SLEEVE
				POLY SLEEVE
			30°	515M3
				METAL SLEEVE
			0° (Straight)	595M0
			30°	595M3
			70°	595M7

DRAWINGS AND DIMENSIONS



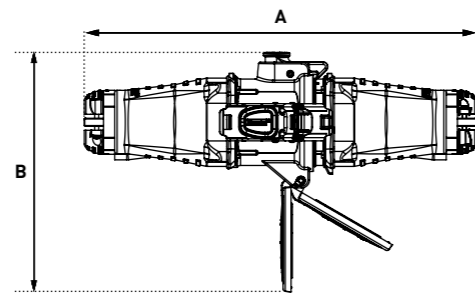
DOWNLOAD
THE DRAWINGS
ON OUR WEBSITE
marechal.com

PLUG ON SOCKET-OUTLET



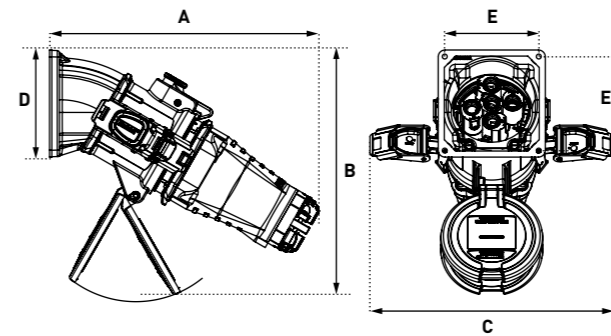
A	B	C
313	299	322

COUPLER



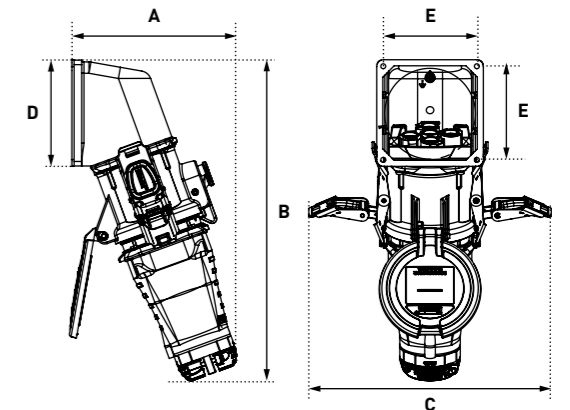
A	B
490	299

PLUG ON 30° INCLINED SOCKET-OUTLET



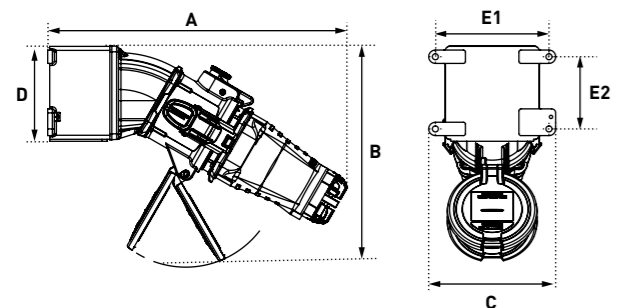
A	B	C	D	E
355	331	322	141	124

PLUG ON 70° INCLINED SOCKET-OUTLET



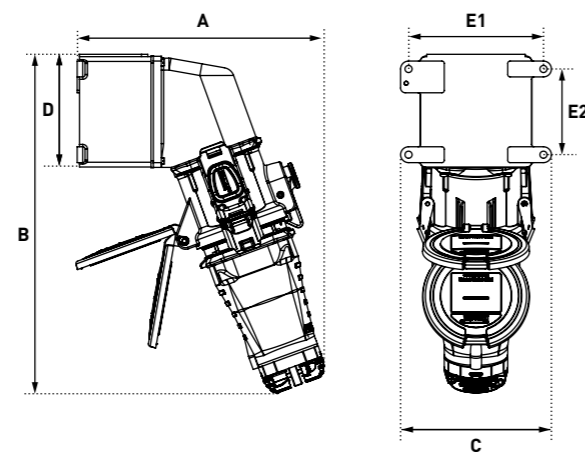
A	B	C	D	E
217	424	322	141	124

PLUG ON 30° WALL MOUNTED SOCKET-OUTLET



A	B	C	D	E1	E2
448	330	322	142	170	108

PLUG ON 70° WALL BOX MOUNTED SOCKET



A	B	C	D	E1	E2
310	426	190	142	170	108

