

# 16-20 A

**U MAX**  
500 V AC  
750 V DC

## DECONTACTOR™ DSN1

INSTRUCTIONS FOR USE



METAL  
VERSION  
AVAILABLE  
SOON

**IN-LINE CONNECTIONS TO ORDER**  
A pair of finger draw plates to aid closing  
Reference 611A346

IP66 IP67 IP69	1-2,5 mm <sup>2</sup> (1) 1,5-4 mm <sup>2</sup> (2)	GRP	IK09	-40 °C +60 °C	AC-22A AC-23A DC-21A	60309-1 60309-4 60947-3	2 PIL (3)

(1) Flexible wiring (min.-max.).  
(2) Stranded wiring (min.-max.).  
(3) Flexible wiring 0.8 mm<sup>2</sup>.

**Other configurations on request.**

**For a black colour housing replace the second reference character with 5.**

**Dual-voltage socket-outlet (see p. 22)**

**LOAD-BREAK CAPABILITY OF THE DECONTACTOR™**

Comply with IEC/EN 60309-1 and IEC/EN 60309-4 standards	20 A/500 V
Load-break capability according to IEC/EN 60947-3/AC-22A	20 A/500 V
Load-break capability according to IEC/EN 60947-3/AC-23A	20 A/500 V
Load-break capability according to IEC/EN 60947-3/DC-21A	20 A/250 V
Short-circuit current I <sub>cc</sub>	10 kA
Power kW AC-22A/AC-23A	10 kW



20-24 V AC	2P	611408A	611808A
190-250 V AC	1P+N+E	6114015	6118015
380-440 V AC	3P+E	6114013	6118013
190-250 V AC 380-440 V AC	3P+N+E	6114017	6118017
480-500 V AC	3P+E	6114093	6118093
480-500 V AC	3P+N+E	6114097	6118097
Pilots 2A/250 V AC	+ 2 pilots*	Ref. + 972	NA

► Other currents, voltages, frequencies and contact configurations are available (see page 21).  
\* Unlike the rest of the DSN range, DSN1 auxiliaries are located on the female side only and are shunted. Electrical continuity is only ensured when the inlet and the socket-outlet are connected and when the pilot circuit is closed.

**OPTIONS** Reference

**INDUSTRIAL/DOMESTIC ADAPTERS**

Industrial inlet MARECHAL® 1P+N+E and domestic socket-outlet 16 A with integrated fuse.  
All these plug adapters are available to local standards: replace D11 by D40 for UK, D30 for Germany/Netherlands/Luxembourg, D06 for Italy.



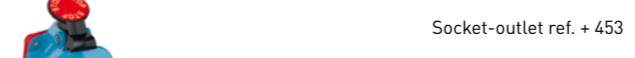
**LOCKING PIN FOR 2 PADLOCKS Ø 4 TO 8 mm (PADLOCK NOT SUPPLIED)**



**SAFETY HASP FOR UP TO 6 PADLOCKS**



**LARGER RELEASE BUTTON**



**INLET CAP IP66/IP67**



**SELF-RETURNING LID: IP40 LID CLOSED: IP66/IP67/IP69**



**SELF-EJECTING**



**PRODUCTS AVAILABLE IN BLACK**

The black dot means these products are also available in black color. Replace the second character of the product reference with 5

**PRODUCT WITH ANTI-BACTERIAL TREATMENT**

This sticker means that the product is also available with an antibacterial treatment. Add the suffix AG to the reference.

**BOXES** **Input** **Reference**

**POLY BOX**

	30°	M20	511B3M20
	30°	M25	511B3M25

**POLY BOX + POLY SLEEVE (BLACK VERSION SEE ACCESSORIES DXN1 PAGE 269)**

	70°	Without hole	511C7000
	70°	Hole Ø 20	511C7M20
	70°	Hole Ø 25	511C7M25
	70°	Hole Ø 32	511C7M32

**METAL BOX (+ EARTHING WIRE) + POLY SLEEVE**

	30°	M20	511C3M20
--	-----	-----	----------

Cable glands are not delivered with the boxes.

**HANDLE** **Input/Cable outer Ø** **Reference** **Self-ejection**

**POLY HANDLE WITH GLAND**

	9-18 mm	511P0D18	/
	5-21 mm	511P0D21	/
	60° 9-18 mm	511P6D18	/

**POLY HANDLE + POLY CABLE GLAND**

	5-12 mm	511P020P	Ref. + 443 (10-14 mm)
	9-18 mm	511P025P	Ref. + 443 (12-18 mm)
	14-25 mm	511P032P	Ref. +443

**POLY HANDLE (WITHOUT CABLE GLAND)**

	M20	511P0M20	/
	M25	511P0M25	/
	M32	511P0M32	/

**SLEEVE** **Reference**

**POLY SLEEVE**

	30°	511M3
	70°	511M7

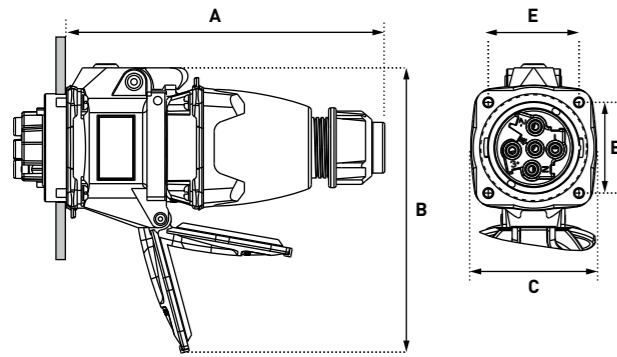
**METAL SLEEVE**

	0° (Straight)	591M0
	30°	591M3

# DRAWINGS AND DIMENSIONS

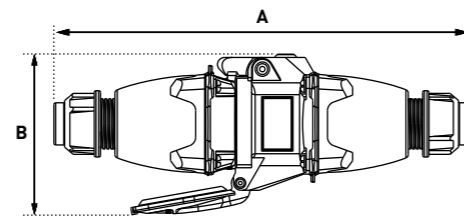
  
 DOWNLOAD THE DRAWINGS ON OUR WEBSITE [marechal.com](http://marechal.com)

PLUG ON SOCKET-OUTLET



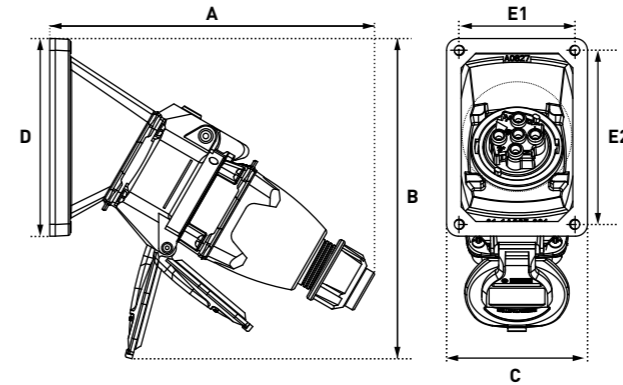
A	B	C	E
147	134	58	42

COUPLER



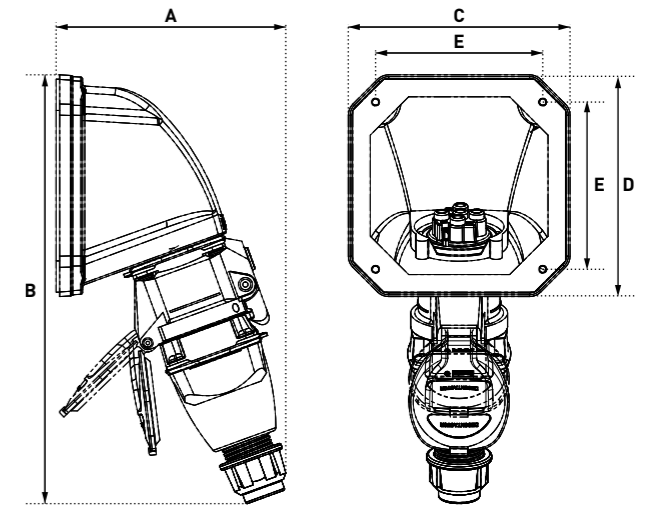
A	B
231	89

PLUG ON 30° INCLINED SOCKET-OUTLET



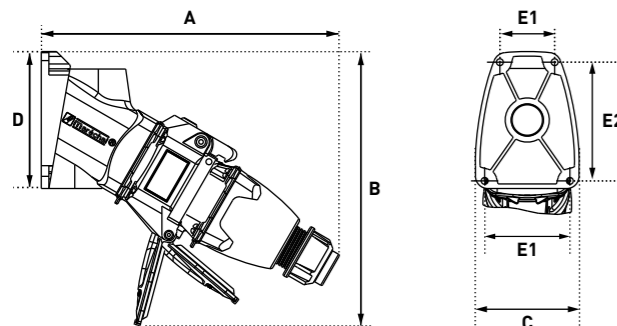
A	B	C	D	E1	E2
177	175	77	108	64	95

PLUG ON 70° INCLINED SOCKET-OUTLET



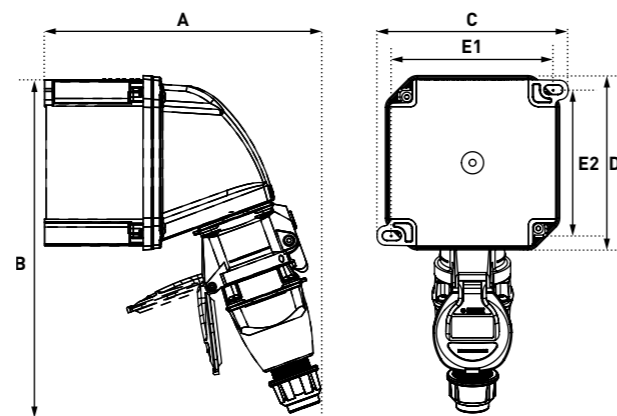
A	B	C	D	E
131	244	126	126	95

PLUG ON 30° WALL-MOUNTED SOCKET-OUTLET



A	B	C	D	E1	E2
196	180	68	90	36/56	78

PLUG ON 70° WALL-MOUNTED SOCKET-OUTLET



A	B	C	D	E1	E2
200	244	138	126	117	106

