

32 A

U MAX
690 V AC
1000 V DC

DECONTACTOR™ DSN3

INSTRUCTIONS FOR USE



METAL
VERSION
AVAILABLE
SOON

IN-LINE CONNECTIONS TO ORDER
A pair of finger draw plates to aid closing
Reference 613A346

- IP66
IP67
IP69
- 2,5-6 mm² (1)
2,5-10 mm² (2)
- GRP
- IK09
- 40 °C
+60 °C
- AC-22A
AC-23A
DC-21A
- IEC/EN
60309-1
60309-4
60947-3
- 2 AUX. (3)

(1) Flexible wiring (min.-max.).
(2) Stranded wiring (min.-max.).
(3) Flexible wiring : 2,5-6 mm²,
stranded : 2,5-10 mm²

**Other cable sections:
please contact us.**

**For a black colour
housing replace the second
reference character with 5.**

**Dual-voltage
socket-outlet
(see p. 22)**

LOAD-BREAK CAPABILITY OF THE DECONTACTOR™			
Comply with IEC/EN 60309-1 and IEC/EN 60309-4 standards			32 A/690 V
Load-break capability according to IEC/EN 60947-3/AC-22A			32 A/690 V
Load-break capability according to IEC/EN 60947-3/AC-23A			32 A/480 V
Load-break capability according to IEC/EN 60947-3/DC-21A			32 A/250 V
Short-circuit current I _{cc}			10 kA
Power kW AC-22A/AC-23A			18,5 kW



20-24 V AC	2P	613408A	613808A
190-250 V AC	1P+N+E	6134015	6138015
380-440 V AC	3P+E	6134013	6138013
190-250 V AC 380-440 V AC	3P+N+E	6134017	6138017
660-690 V AC	3P+E	6134193	6138193
660-690 V AC	3P+N+E	6134197	6138197
Auxiliaries 30 A/500 V AC	+ 2 contacts	Ref. + 972	Ref. + 972

► Other currents, voltages, frequencies and contact configurations are available (see page 21).
* When ordering the auxiliary option, the maximum tolerated voltage is reduced to 500 V AC.

OPTIONS	Reference	BOXES	∠x°	Input	Reference
---------	-----------	-------	-----	-------	-----------

INDUSTRIAL/DOMESTIC ADAPTERS

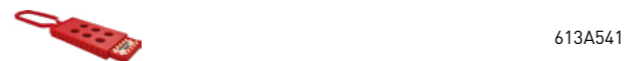
Industrial inlet MARECHAL® 1P+N+E and domestic socket-outlet 16 A with integrated fuse.
All these plug adapters are available to local standards: replace D11 by D40 for UK, D30 for Germany/Netherlands/Luxembourg, D06 for Italy.



LOCKING PIN FOR 2 PADLOCKS Ø 4 TO 8 mm (PADLOCK NOT SUPPLIED)



SAFETY HASP FOR UP TO 6 PADLOCKS



LARGER RELEASE BUTTON



INLET CAP IP66/IP67



SELF-RETURNING LID: IP40 LID CLOSED: IP66/IP67/IP69



IP55 METAL LOCKABLE SELF-CLOSING LID FOR INLET



SELF-EJECTION



PRODUCTS AVAILABLE IN BLACK

The black dot means these products are also available in black color. Replace the second character of the product reference with 5

PRODUCT WITH ANTI-BACTERIAL TREATMENT

This sticker means that the product is also available with an antibacterial treatment. Add the suffix AG to the reference.

INTEGRATED FINGER DRAW PLATES + ROPE GUIDE

This handle has integrated rope guide and finger draw plate, so there's no need to order a pair of additional finger draw plates.

SLEEVE	∠x°	Reference
--------	-----	-----------

POLY SLEEVE



METAL SLEEVE



BOXES	∠x°	Input	Reference
-------	-----	-------	-----------

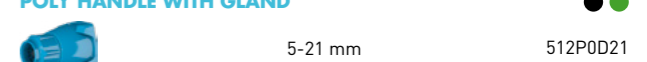
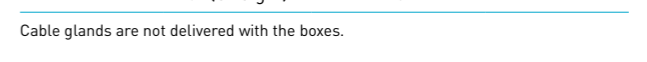
POLY BOX



METAL BOX (+ EARTHING WIRE)



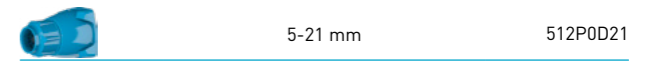
POLY BOX + POLY SLEEVE (BLACK VERSION SEE ACCESSORIES DXN3 PAGE 281)



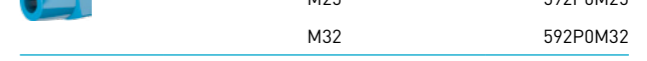
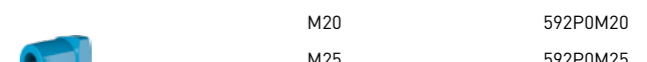
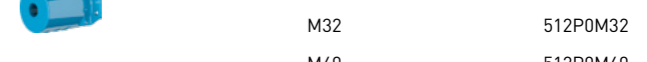
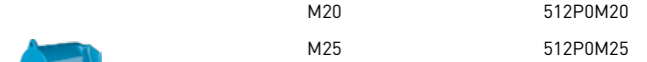
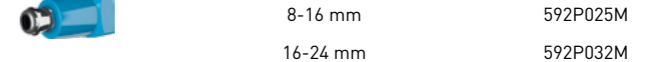
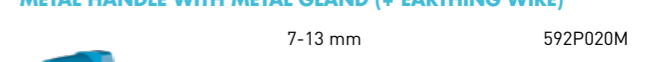
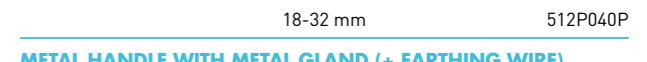
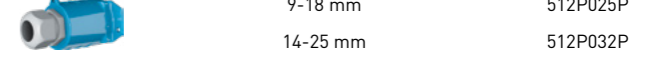
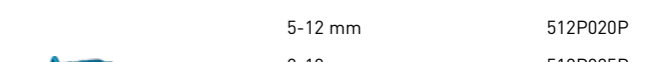
Cable glands are not delivered with the boxes.

HANDLE	Input/Cable outer Ø	Reference
--------	---------------------	-----------

POLY HANDLE WITH GLAND



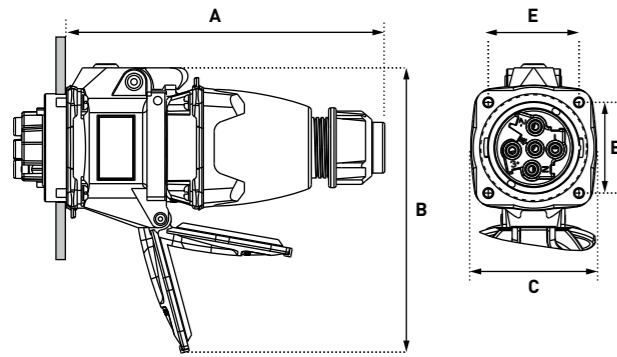
POLY HANDLE + POLY CABLE GLAND



DRAWINGS AND DIMENSIONS

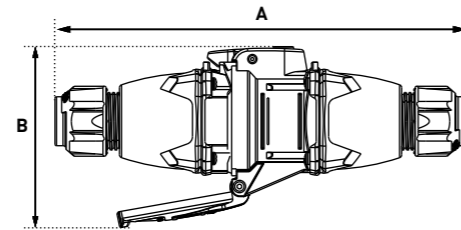

 DOWNLOAD THE DRAWINGS ON OUR WEBSITE marechal.com

PLUG ON SOCKET-OUTLET



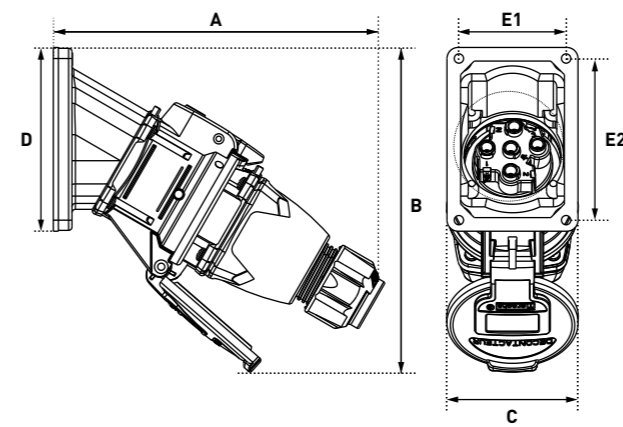
A	B	C	E
171	171	77	48

COUPLER



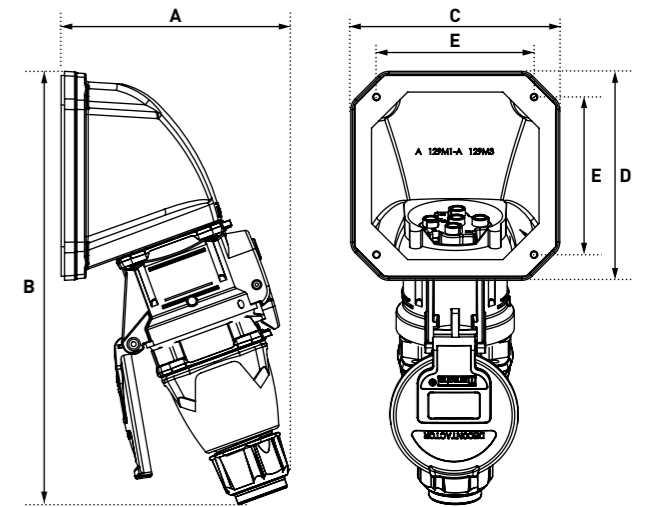
A	B
265	116

PLUG ON 30° INCLINED SOCKET-OUTLET



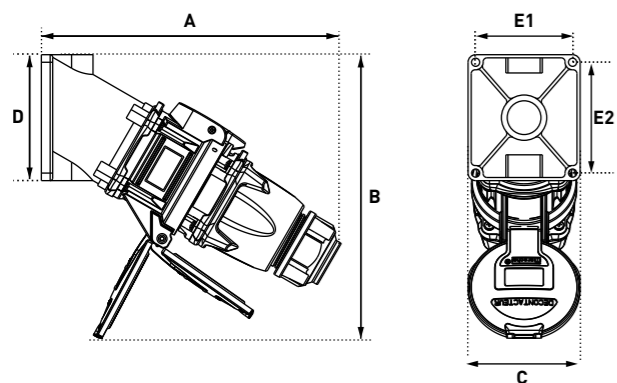
A	B	C	D	E1	E2
195	165	77	191	63	95

PLUG ON 70° INCLINED SOCKET-OUTLET



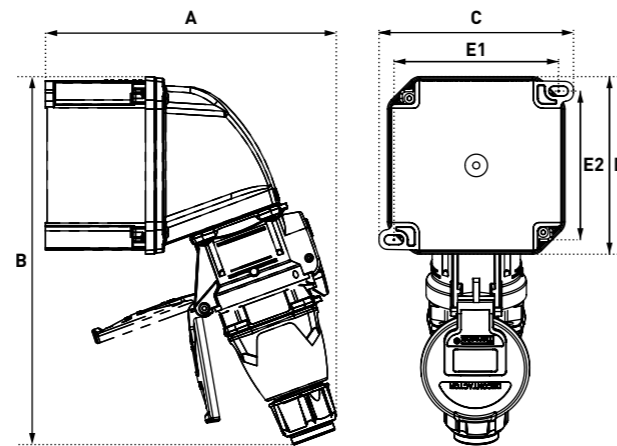
A	B	C	D	E
138	262	126	126	95

PLUG ON 30° WALL MOUNTED SOCKET-OUTLET



A	B	C	D	E1	E2
213	191	84	84	70	70

PLUG ON 70° WALL-MOUNTED SOCKET-OUTLET



A	B	C	D	E1	E2
207	262	138	126	117	105.5

