

20 A

ZONE 2, 22 PLUGS & SOCKETS DXN1

U MAX
440 V AC
440 V DC

MARECHAL ELECTRIC FRANCE

Ex II 3 GD Ex ec IIC T* Gc
Ex tc IIIC T* Dc
*-40 °C ≤ Ta ≤ +60 °C T5 T95 °C
-40 °C ≤ Ta ≤ +40 °C T6 T75 °C
TF: MAR X 23.0002

METAL
VERSION
AVAILABLE
SOON

INSTRUCTIONS FOR USE



IN-LINE CONNECTIONS TO ORDER
A pair of finger draw plates to aid closing
Reference 611A346

- IP66
IP67
- 1-2,5 mm² (1)
1,5-4 mm² (2)
- GRP
- IK09
- 40 °C
+60 °C
- ATEX
- ZONE
2, 22
- 2 PIL (3)

(1) Flexible wiring (min.-max.).
(2) Stranded wiring (min.-max.).
(3) Flexible wiring 0,8 mm².

Other configurations on request.

TEMPERATURE RATING	
Gas temperature classes	T6 for an ambient T° between -40 °C and +40 °C T5 for an ambient T° between -40 °C and +60 °C
Dust surface temperature classes	Surface T° ≤ 75 °C for an ambient T° between -40 °C and +40 °C Surface T° ≤ 95 °C for an ambient T° between -40 °C and +60 °C

STANDARDS	
International and European IEC/EN standards	IEC 61984, 60079-0, 60079-7, 60079-31
Type of protection	ec, tc

Each socket-outlet or inlet must be associated with a box, a sleeve or a handle.

SOCKET-OUTLET female DXN1		INLET* male DXN1	
20-24 V AC	2P	251408AMZ2	251808AMZ2
190-250 V AC	1P+N+E	2514015MZ2	2518015MZ2
380-440 V AC	3P+E	2514013MZ2	2518013MZ2
190-250 V AC	3P+N+E	2514017MZ2	2518017MZ2

► Other currents, voltages, frequencies and contact configurations are available (see page 21).
* inlet cap included.

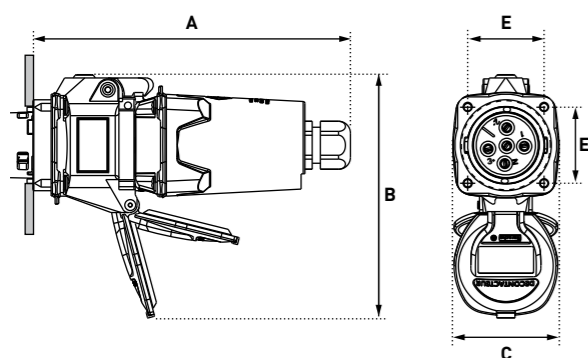
OPTIONS	Reference	WALL BOX	Incline angle	Input/Cable outer Ø	Reference
SAFETY HASP FOR UP TO 6 PADLOCKS					
	613A541		30°	5-10 mm	251AB5316P
INLET CAP IP66/IP67					
	251A426		30°	10-14 mm	251AB53
			30°	12-18 mm	251AB5325P
SELF CLOSING/SELF RETURNING LID					
	Socket-outlet ref. + R		30°	M20	251AB53417
COMPATIBILITY WITH DSN SOCKET-OUTLET (INDUSTRIAL RANGE)					
	Contact us.		30°	M25	251AB53418
WALL BOX POLY WITH EX POLY CABLE GLAND					
			30°	5-10 mm	251AB5316P
			30°	10-14 mm	251AB53
			30°	12-18 mm	251AB5325P
WALL BOX POLY WITHOUT CABLE GLAND					
			30°	M20	251AB53417
			30°	M25	251AB53418
WALL BOX POLY WITH EX POLY CABLE GLAND					
			70°	10-14 mm	251AB8820P
			70°	12-18 mm	251AB8825P
120 X 120 mm			70°	16-25 mm	251AB8832P
WALL BOX POLY WITH METAL CABLE GLAND WITH EARTH CONTINUITY					
			70°	8-10 mm	251AB8820M
			70°	12-14 mm	251AB8825M
120 X 120 mm			70°	18-24 mm	251AB8832M
WALL BOX POLY WITH TERMINAL BLOCKS (TF: MAR X 14.0001)					
			70°	10-14 mm	
120 X 120 mm			70°	12-18 mm	

HANDLES	Cable outer Ø	Reference	SLEEVE	Incline angle	Reference
POLY HANDLE WITH GLAND EX POLY					
	10-14 mm	251A753			
	12-18 mm	251A25325P		30°	251A057
	16-25 mm	251A25332P			
STRAIGHT POLY HANDLE WITH METAL CABLE GLAND WITH EARTH CONTINUITY					
	8-10 mm	251A25320M			
	12-14 mm	251A25325M		70°	251A757
	18-24 mm	251A25332M			

DRAWINGS AND DIMENSIONS

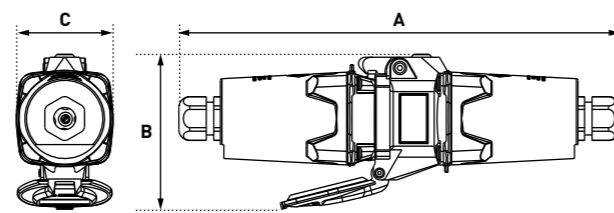

 DOWNLOAD THE DRAWINGS ON OUR WEBSITE marechal.com

PLUG ON SOCKET-OUTLET



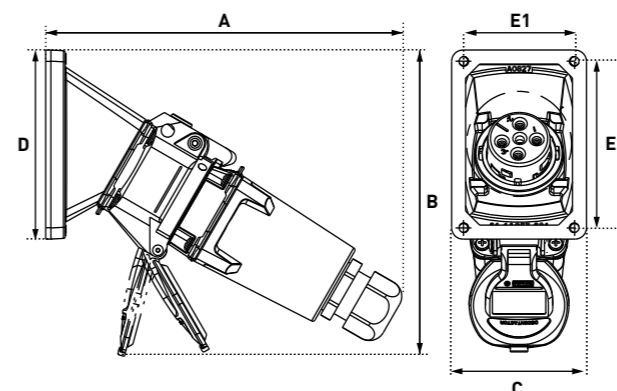
A	B	C	E
165	134	58	42

COUPLER



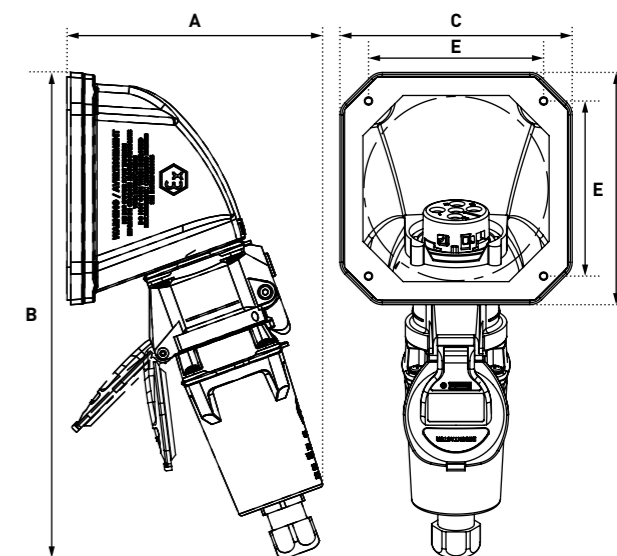
A	B	C
266	89	58

PLUG ON 30° INCLINED SOCKET-OUTLET



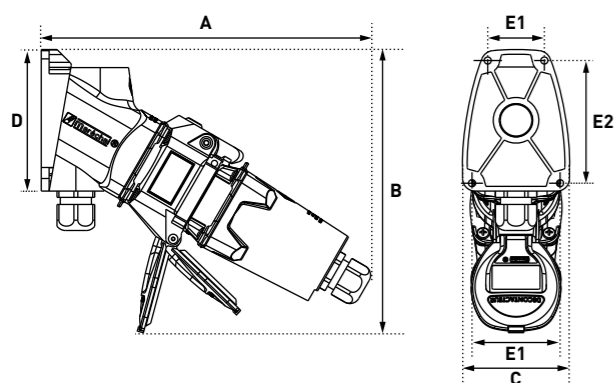
A	B	C	D	E1	E2
203	175	77	108	64	96

PLUG ON 70° INCLINED SOCKET-OUTLET



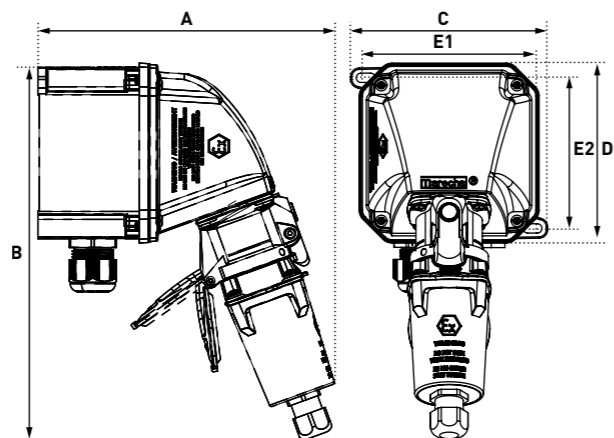
A	B	C	D	E
139	264	126	126	95

PLUG ON 30° WALL MOUNTED SOCKET-OUTLET



A	B	C	D	E1	E2
209	180	68	90	36/56	79

PLUG ON 70° WALL-MOUNTED SOCKET-OUTLET



A	B	C	D	E1	E2
208	264	138	126	117	105.5

