

32 A

U MAX
750 V AC
750 V DC

DECONTACTOR™ DXN3 ZONE 1-21

MARECHAL ELECTRIC FRANCE

Ex II 2 G D Ex db eb IIC T* Gb
Ex tb IIIC T* Db
*-40 °C ≤ Ta ≤ +60 °C T5 T77 °C
-40 °C ≤ Ta ≤ +40 °C T6 T57 °C
IECEX LCI 09.0006X/LCIE 05 ATEX 6149X

METAL
VERSION
AVAILABLE
SOON

INSTRUCTIONS FOR USE



IN-LINE CONNECTIONS TO ORDER
A pair of finger draw plates to aid closing
Reference 613A346

- IP66 2,5-10 mm² (1)
IP67 2,5-16 mm² (2)
- GRP
- IK09
- 40 °C
+60 °C
- AC-22A
DC-21A
- ATEX
- ZONE 1, 2, 21, 22
- 2 AUX. (3)

(1) Flexible wiring (min.-max.).
(2) Stranded wiring (min.-max.).
(3) Flexible wiring : 1,5-2,5 mm²,
stranded : 1,5 - 4 mm².

Other configurations on request.

| TEMPERATURE RATING | |
|----------------------------------|--|
| Gas temperature classes | T6 for an ambient T° between -40 °C and +40 °C T5 for an ambient T° between -40 °C and +60 °C |
| Dust surface temperature classes | Surface T° ≤ 57 °C for an ambient T° between -40 °C and +40 °C Surface T° ≤ 77 °C for an ambient T° between -40 °C and +60 °C |

| STANDARDS | |
|---|--|
| International and European IEC/EN standards | 60079-0, 60079-1, 60079-7, 60079-31, 60309-1, 60309-4, 60947-3 |
| Type of protection | db eb, tb |

| LOAD-BREAK CAPABILITY OF THE DECONTACTOR™ | |
|--|------------|
| Load-break capability according to IEC/EN 60947-3/AC-22A | 32 A/690 V |
| Load-break capability according to IEC/EN 60947-3/DC-21A | 32 A/250 V |

SOCKET-OUTLET
female **DXN3**



INLET male
DXN3



| | | | |
|----------------------------|--------------|------------|------------|
| 20-24 V AC | 2P | 253408A | 253808A |
| 190-250 V AC | 1P+N+E | 2534015 | 2538015 |
| 380-440 V AC | 3P+E | 2534013 | 2538013 |
| 380-440 V AC | 3P+N+E | 2534017 | 2538017 |
| 480-500 V AC | 3P+E | 2534093 | 2538093 |
| 480-500 V AC | 3P+N+E | 2534097 | 2538097 |
| 550 V AC - Auxiliaries 5 A | + 2 contacts | Ref. + 972 | Ref. + 972 |

► Other currents, voltages, frequencies and contact configurations are available (see page 21).

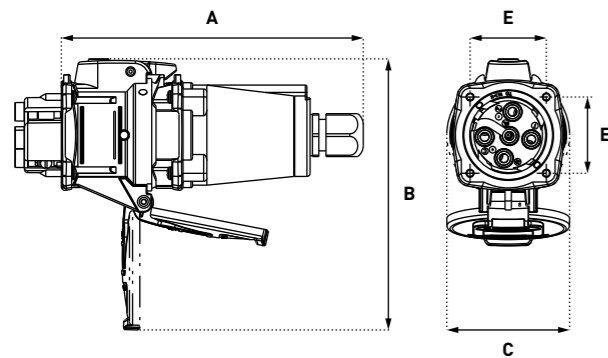
Each socket-outlet or inlet must be associated with a box, a sleeve or a handle.

| OPTIONS | Reference | WALL BOX | Incline angle | Input/Cable outer Ø | Reference |
|--|---|---|-----------------------------|---------------------|---------------|
| LOCKING PIN FOR 2 PADLOCKS Ø 4 TO 8 mm (PADLOCK NOT SUPPLIED) | Socket-outlet ref. + 843 | WALL BOX POLY WITH EX POLY CABLE GLAND | | | |
| | | | 30° | 10-14 mm | 253AB53 |
| SAFETY HASP FOR UP TO 6 PADLOCKS | 613A541 | | 30° | 12-18 mm | 253AB5325P |
| | | WALL BOX POLY WITHOUT CABLE GLAND | | | |
| LARGER RELEASE BUTTON | Socket-outlet ref. + 453 | | 30° | M20 | 253AB53417 |
| | | | 30° | M25 | 253AB53418 |
| INLET CAP IP66/IP67 | 253A426 | WALL BOX POLY WITH EX POLY CABLE GLAND | | | |
| | | | 70° | 10-14 mm | 253AB8820P |
| SELF CLOSING/SELF RETURNING LID | Socket-outlet ref. + R | | 70° | 12-18 mm | 253AB8825P |
| | | 120 X 120 mm | 70° | 16-25 mm | 253AB8832P |
| COMPATIBILITY WITH DSN SOCKET-OUTLET (INDUSTRIAL RANGE) | Contact us. | WALL BOX POLY WITH METAL CABLE GLAND WITH EARTH CONTINUITY | | | |
| | | | 70° | 8-10 mm | 253AB8820M |
| SELF-EJECTION | See page 208 | | 70° | 12-14 mm | 253AB8825M |
| | | 120 X 120 mm | 70° | 18-24 mm | 253AB8832M |
| INTEGRATED FINGER DRAW PLATES + ROPE GUIDE | ● | WALL BOX POLY WITH TERMINAL BLOCKS (IECEX LCIE 16.0042X/LCIE 16 ATEX 3054X) P. 326 | | | |
| | This handle has integrated rope guide and finger draw plate, so there's no need to order a pair of additional finger draw plates. | | 70° | 10-14 mm | 253A08820P(1) |
| | | 120 X 120 mm | 70° | 12-18 mm | 253A08825P(1) |
| IN THIS CONFIGURATION U _{MAX} = 630 V | | | | | |
| 1. Delivered with two predrilled entries fitted with 1 cable gland and 1 stopping plug, 8+2 terminals up to 10 mm ² with 6 mm ² wires. Wiring : 2.5-10 mm ² . For other configurations, contact us. | | | | | |
| HANDLE | Cable outer Ø | Reference | SLEEVE | Incline angle | Reference |
| POLY HANDLE WITH GLAND EX POLY | | | | | |
| | 10-14 mm | 253A753 | INCLINED POLY SLEEVE | | |
| | 12-18 mm | 253A783 | | 30° | 253A027 |
| | 16-25 mm | 253A25332P | | 70° | 253A757 |
| | 22-32 mm | 253A25340P | | | |
| STRAIGHT POLY HANDLE WITH METAL CABLE GLAND WITH EARTH CONTINUITY | | | | | |
| | 8-10 mm | 253A25320M | | | |
| | 12-14 mm | 253A25325M | | | |
| | 18-24 mm | 253A25332M | | | |

DRAWINGS AND DIMENSIONS

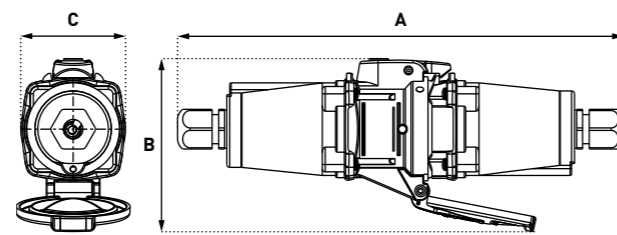
DOWNLOAD THE DRAWINGS ON OUR WEBSITE marechal.com

PLUG ON SOCKET-OUTLET



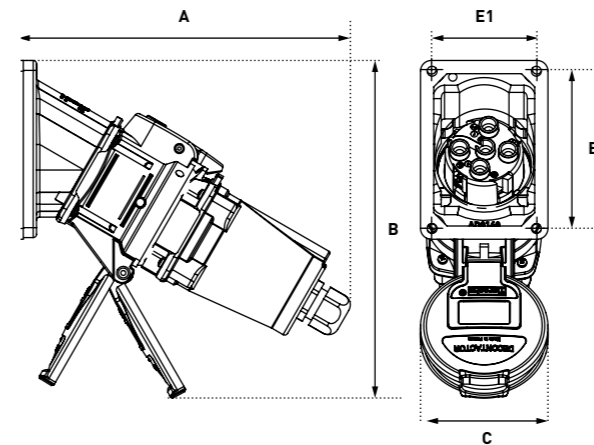
| A | B | C | E |
|-----|-----|----|----|
| 190 | 171 | 77 | 48 |

COUPLER



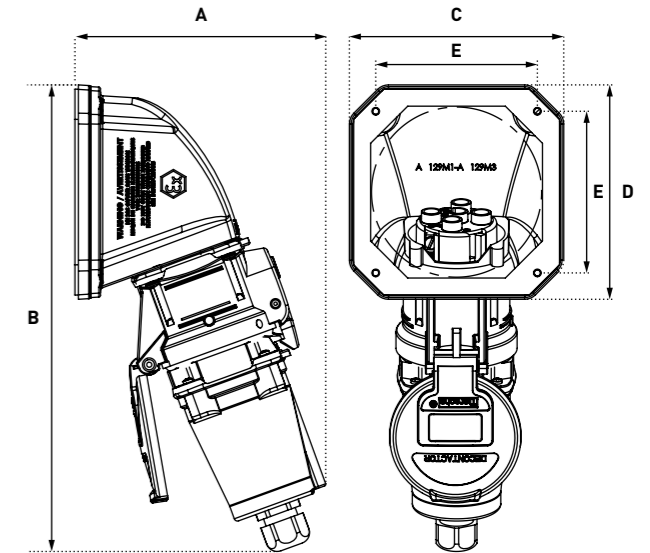
| A | B | C |
|-----|----|-----|
| 304 | 71 | 118 |

PLUG ON 30° INCLINED SOCKET-OUTLET



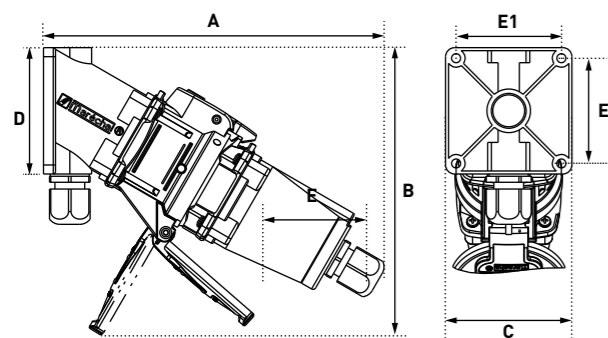
| A | B | C | D | E1 | E2 |
|-----|-----|----|-----|----|----|
| 201 | 204 | 77 | 108 | 64 | 96 |

PLUG ON 70° INCLINED SOCKET-OUTLET



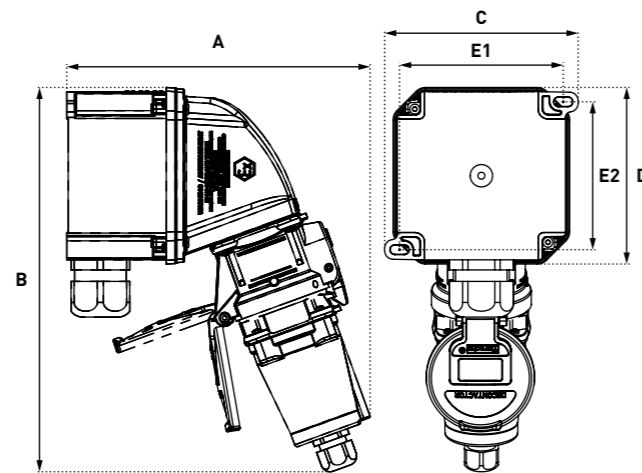
| A | B | C | D | E |
|-----|-----|-----|-----|----|
| 148 | 275 | 126 | 126 | 95 |

PLUG ON 30° WALL MOUNTED SOCKET-OUTLET



| A | B | C | D | E1 | E2 |
|-----|-----|----|----|----|----|
| 226 | 191 | 84 | 84 | 71 | 71 |

PLUG ON 70° WALL-MOUNTED SOCKET-OUTLET



| A | B | C | D | E1 | E2 |
|-----|-----|-----|-----|-----|-------|
| 208 | 264 | 138 | 126 | 117 | 105.5 |

