

# 40 A

**U MAX**  
690 V AC  
690 V DC

## ZONE 2, 22 PLUGS & SOCKETS DXN3

MARECHAL ELECTRIC FRANCE  
 Ex II 3 GD    Ex ec IIC    T\* Gc  
                   Ex tc IIIC    T\* Dc  
 \*-40 °C ≤ Ta ≤ +60 °C    T4    T115 °C  
 -40 °C ≤ Ta ≤ +40 °C    T5    T95 °C  
 TF: MAR X 23.0001

**METAL  
VERSION  
AVAILABLE  
SOON**

INSTRUCTIONS FOR USE



**IN-LINE CONNECTIONS TO ORDER**  
 A pair of finger draw plates to aid closing  
 Reference 613A346

- IP66  
IP67
- 2,5-6 mm<sup>2</sup> (1)  
2,5-10 mm<sup>2</sup> (2)
- GRP
- IK09
- 40 °C  
+60 °C
- ATEX
- ZONE 2, 22
- 2 AUX. (3)

(1) Flexible wiring (min.-max.).  
 (2) Stranded wiring (min.-max.).  
 (3) Flexible wiring : 2,5 - 6 mm<sup>2</sup>,  
 stranded : 2,5 - 10 mm<sup>2</sup>.

**Other configurations on request.**

TEMPERATURE RATING	
Gas temperature classes	T5 for an ambient T° between -40 °C and +40 °C T4 for an ambient T° between -40 °C and +60 °C
Dust surface temperature classes	Surface T° ≤ 95 °C for an ambient T° between -40 °C and +40 °C Surface T° ≤ 115 °C for an ambient T° between -40 °C and +60 °C

STANDARDS	
International and European IEC/EN standards	IEC 61984, 60079-0, 60079-7, 60079-31
Type of protection	ec, tc

**SOCKET-OUTLET** female **DXN3** **INLET** male **DXN3**

Voltage	Configuration	Socket-outlet Ref.	Inlet Ref.
20-24 V AC	2P	253408AMZ2	253808AMZ2
190-250 V AC	1P+N+E	2534015MZ2	2538015MZ2
380-440 V AC	3P+E	2534013MZ2	2538013MZ2
190-250 V AC / 380-440 V AC	3P+N+E	2534017MZ2	2538017MZ2
660-690 V AC	3P+E	2534193MZ2	2538193MZ2
380-440 V AC / 660-690 V AC	3P+N+E	2534197MZ2	2538197MZ2
440 V AC - Auxiliaries 30 A	+ 2 contacts	Ref. + 972MZ2	Ref. + 972MZ2

► Other currents, voltages, frequencies and contact configurations are available (see page 21).

**Each socket-outlet or inlet must be associated with a box, a sleeve or a handle.**

OPTIONS	Reference
SAFETY HASP FOR UP TO 6 PADLOCKS	613A541
INLET CAP IP66/IP67	253A426
SELF CLOSING/SELF RETURNING LID	Socket-outlet ref. + R
COMPATIBILITY WITH DSN SOCKET-OUTLET (INDUSTRIAL RANGE)	Contact us.
<b>INTEGRATED FINGER DRAW PLATES + ROPE GUIDE</b>	

This handle has integrated rope guide and finger draw plate, so there's no need to order a pair of additional finger draw plates.

WALL BOX	Incline angle	Input/Cable outer Ø	Reference
<b>WALL BOX POLY WITH EX POLY CABLE GLAND</b>			
	30°	10-14 mm	253AB53
	30°	12-18 mm	253AB5325P
<b>WALL BOX POLY WITHOUT CABLE GLAND</b>			
	30°	M20	253AB53417
	30°	M25	253AB53418
<b>WALL BOX POLY WITH EX POLY CABLE GLAND</b>			
	70°	10-14 mm	253AB8820P
	70°	12-18 mm	253AB8825P
	70°	16-25 mm	253AB8832P
<b>WALL BOX POLY WITH METAL CABLE GLAND WITH EARTH CONTINUITY</b>			
	70°	8-10 mm	253AB8820M
	70°	12-14 mm	253AB8825M
	70°	18-24 mm	253AB8832M
<b>WALL BOX POLY WITH TERMINAL BLOCKS (TF: MAR X 14.0001)</b>			
	70°	10-14 mm	Nous consulter
	70°	12-18 mm	Nous consulter

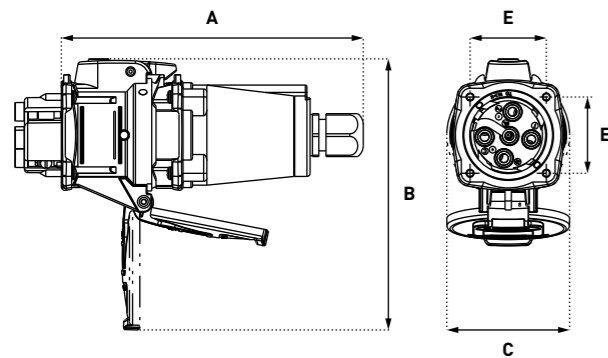
HANDLE	Cable outer Ø	Reference
<b>POLY HANDLE WITH GLAND EX POLY</b>		
	10-14 mm	253A753
	12-18 mm	253A783
	16-25 mm	253A25332P
	22-32 mm	253A25340P
<b>STRAIGHT POLY HANDLE WITH METAL CABLE GLAND WITH EARTH CONTINUITY</b>		
	8-10 mm	253A25320M
	12-14 mm	253A25325M
	18-24 mm	253A25332M

SLEEVE	Incline angle	Reference
<b>INCLINED POLY SLEEVE</b>		
	30°	253A027
	70°	253A757

# DRAWINGS AND DIMENSIONS

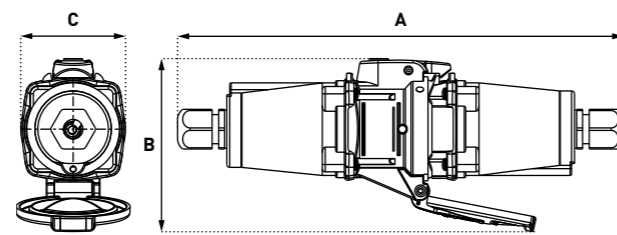
DOWNLOAD THE DRAWINGS ON OUR WEBSITE [marechal.com](http://marechal.com)

PLUG ON SOCKET-OUTLET



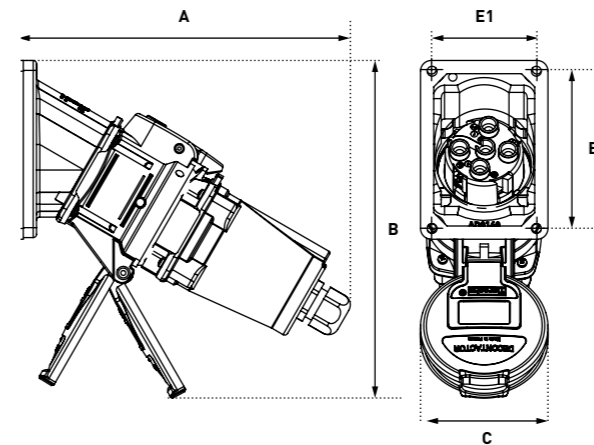
A	B	C	E
190	171	77	48

COUPLER



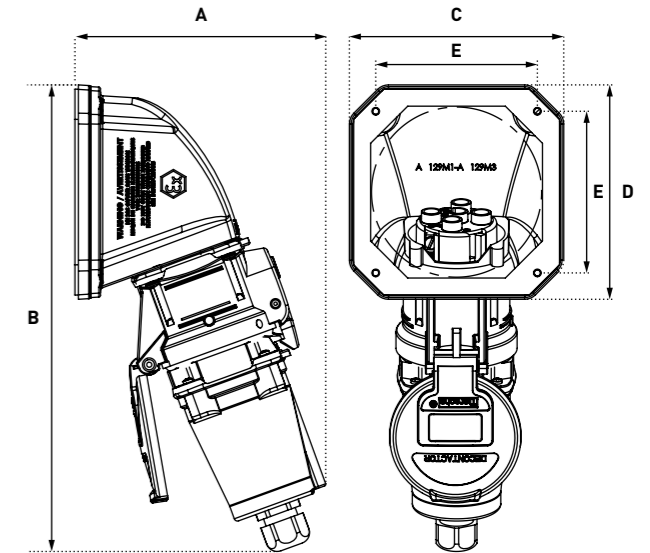
A	B	C
304	71	118

PLUG ON 30° INCLINED SOCKET-OUTLET



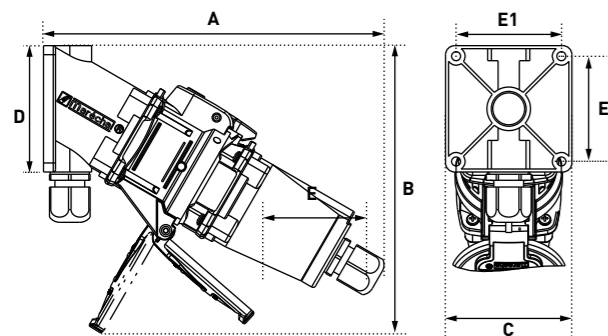
A	B	C	D	E1	E2
201	204	77	108	64	96

PLUG ON 70° INCLINED SOCKET-OUTLET



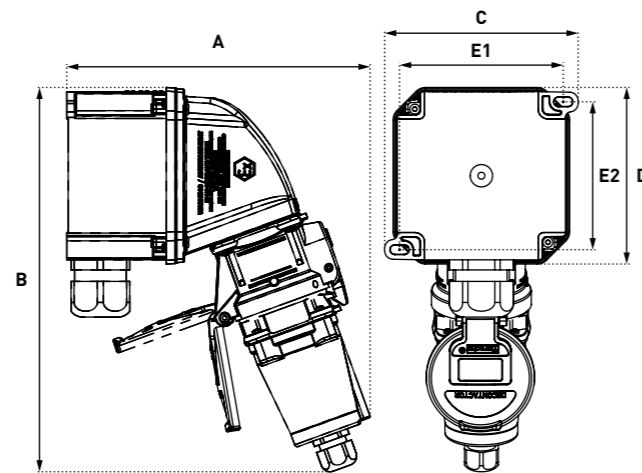
A	B	C	D	E
148	275	126	126	95

PLUG ON 30° WALL MOUNTED SOCKET-OUTLET



A	B	C	D	E1	E2
226	191	84	84	71	71

PLUG ON 70° WALL-MOUNTED SOCKET-OUTLET



A	B	C	D	E1	E2
208	264	138	126	117	105.5

