

63 A

DECONTACTOR™ DXN6 ZONE 1-21

U MAX
750 V AC
750 V DC

MARECHAL ELECTRIC FRANCE
 Ex II 2 G D Ex db eb IIC T* Gb
 Ex tb IIIC T* Db
 *-40 °C ≤ Ta ≤ +60 °C T4 T107 °C
 -40 °C ≤ Ta ≤ +40 °C T5 T87 °C
 IECEx LCI 09.0007X/LCIE 05 ATEX 6150X

METAL
VERSION
AVAILABLE
SOON

INSTRUCTIONS FOR USE



IN-LINE CONNECTIONS TO ORDER
 A pair of finger draw plates to aid closing
 Reference 616A346

- IP66
IP67
- 6-16 mm² (1)
6-25 mm² (2)
- GRP
- IK09
- 40 °C
+60 °C
- AC-22A
DC-21A
- ATEX
- ZONE
1, 2, 21, 22
- 2 AUX. (3)

(1) Flexible wiring (min.-max.).
 (2) Stranded wiring (min.-max.).
 (3) Flexible wiring : 1,5 - 2,5 mm²,
 stranded : 1,5 - 4 mm².

Other configurations on request.

Each socket-outlet or inlet must be associated with a box, a sleeve or a handle.

TEMPERATURE RATING	
Gas temperature classes	T5 for an ambient T° between -40 °C and +40 °C T4 for an ambient T° between -40 °C and +60 °C
Dust surface temperature classes	Surface T° ≤ 87 °C for an ambient T° between -40 °C and +40 °C Surface T° ≤ 107 °C for an ambient T° between -40 °C and +60 °C

STANDARDS	
International and European IEC/EN standards	60079-0, 60079-1, 60079-7, 60079-31, 60309-1, 60309-4, 60947-3
Type of protection	db eb, tb

LOAD-BREAK CAPABILITY OF THE DECONTACTOR™	
Load-break capability according to IEC/EN 60947-3/AC-22A	63 A/440 V
Load-break capability according to IEC/EN 60947-3/DC-21A	63 A/250 V

SOCKET-OUTLET female DXN6		INLET male DXN6	
20-24 V AC	2P	256408A	256808A
190-250 V AC	1P+N+E	2564015	2568015
380-440 V AC	3P+E	2564013	2568013
380-440 V AC	3P+N+E	2564017	2568017
480-500 V AC	3P+E	2564093	2568093
480-500 V AC	3P+N+E	2564097	2568097
550 V AC - Auxiliaries 5 A	+ 2 contacts	Ref. + 972	Ref. + 972

► Other currents, voltages, frequencies and contact configurations are available (see page 21).

OPTIONS	Reference
LOCKING PIN FOR 2 PADLOCKS Ø 4 TO 8 mm (PADLOCK NOT SUPPLIED)	Socket-outlet ref. + 843
SAFETY HASP FOR UP TO 6 PADLOCKS	613A541
LARGER RELEASE BUTTON	Socket-outlet ref. + 453
INLET CAP IP66/IP67	256A426
SELF CLOSING/SELF RETURNING LID	Socket-outlet ref. + R
COMPATIBILITY WITH DSN SOCKET-OUTLET (INDUSTRIAL RANGE)	Contact us.
SELF-EJECTION	See page 208

WALL BOX	Incline angle	Input/Cable outer Ø	Reference
WALL BOX POLY WITH EX POLY CABLE GLAND			
	30°	12-18 mm	256AB53
WALL BOX POLY WITHOUT CABLE GLAND			
	30°	M25	256AB53418
WALL BOX POLY WITH EX POLY CABLE GLAND			
	70°	10-14 mm	256AB8820P
	70°	12-18 mm	256AB8825P
	70°	16-25 mm	256AB8832P
	70°	22-32 mm	256AB8840P
WALL BOX POLY WITH METAL CABLE GLAND WITH EARTH CONTINUITY			
	70°	8-10 mm	256AB8820M
	70°	12-14 mm	256AB8825M
	70°	18-24 mm	256AB8832M
WALL BOX POLY WITH TERMINAL BLOCKS (IECEx LCIE 16.0042X/LCIE 16 ATEX 3054X) P. 326			
	70°	10-14 mm	256A08820P(1)
	70°	12-18 mm	256A08825P(1)
	70°	16-25 mm	256A08832P(1)
	70°	22-32 mm	256A08840P(1)

IN THIS CONFIGURATION
 U_{MAX} = 630 V
 -40 °C ≤ Ta ≤ +55 °C T4 T105 °C
 -40 °C ≤ Ta ≤ +50 °C T5 T95 °C

1. Delivered with two predrilled entries fitted with 1 cable gland and 1 stopping plug, 8+2 terminals up to 16 mm² with 16 mm² wires. Wiring : 6-16 mm². For other configurations, contact us.

HANDLE	Cable outer Ø	Reference
POLY HANDLE WITH GLAND EX POLY		
	10-14 mm	256A25320P
	12-18 mm	256A753
	16-25 mm	256A25332P
	22-32 mm	256A25340P

POLY HANDLE WITH EX POLY GLAND FOR SELF-EJECTION OPTION		
	12-18 mm	256A443
	16-25 mm	256A44332P
	22-32 mm	256A44340P

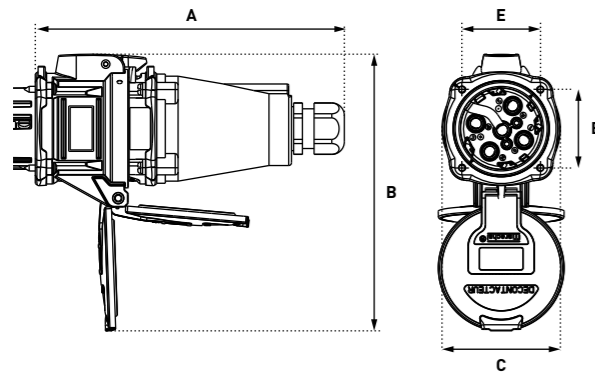
STRAIGHT POLY HANDLE WITH METAL CABLE GLAND WITH EARTH CONTINUITY		
	8-10 mm	256A25320M
	12-14 mm	256A25325M
	18-24 mm	256A25332M

SLEEVE	Incline angle	Reference
INCLINED POLY SLEEVE		
	30°	256A027
	70°	256A757

DRAWINGS AND DIMENSIONS

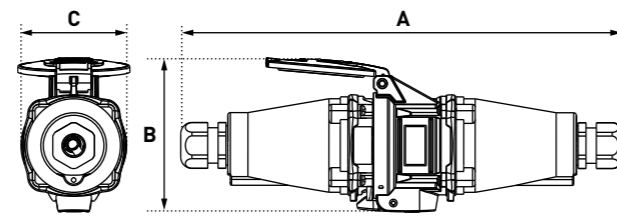

 DOWNLOAD THE DRAWINGS ON OUR WEBSITE marechal.com

PLUG ON SOCKET-OUTLET



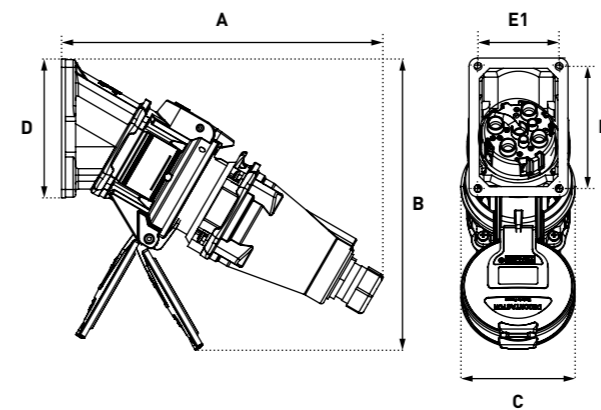
A	B	C	E
218	195	84	55

COUPLER



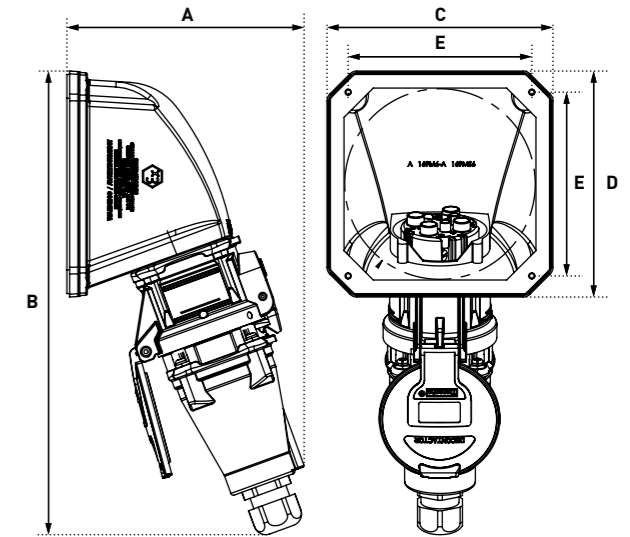
A	B	C
350	84	122

PLUG ON 30° INCLINED SOCKET-OUTLET



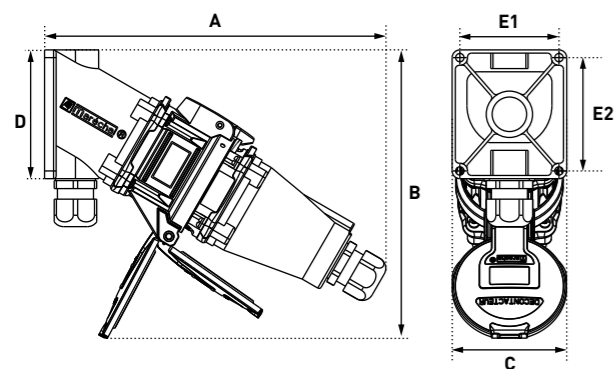
A	B	C	D	E1	E2
239	219	77	108	64	96

PLUG ON 70° INCLINED SOCKET-OUTLET



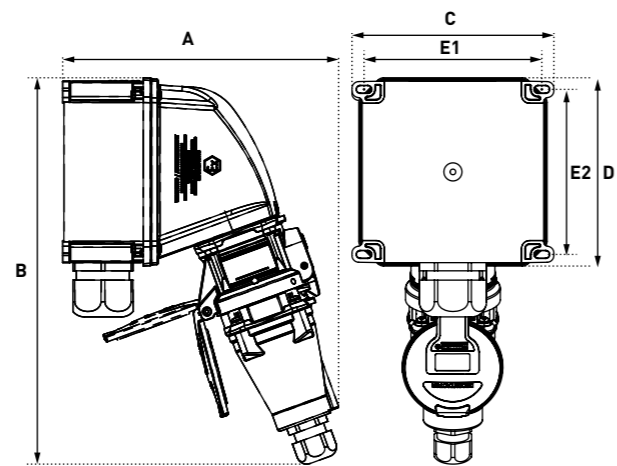
A	B	C	D	E
175	341	166	166	135

PLUG ON 30° WALL MOUNTED SOCKET-OUTLET



A	B	C	D	E1	E2
265	225	89	100	77	89

PLUG ON 70° WALL-MOUNTED SOCKET-OUTLET



A	B	C	D	E1	E2
244	341	175	166	157	145.5

