

U MAX
1000 V AC
1000 V DC

MARECHAL ELECTRIC FRANCE

Ex II 3 GD Ex ec IIC T* Gc
Ex tc IIIC T* Dc
*-40 °C ≤ Ta ≤ +60 °C T4 T105 °C
-40 °C ≤ Ta ≤ +40 °C T5 T85 °C
TF: MAR X 23.0003

METAL
VERSION
AVAILABLE
SOON

INSTRUCTIONS FOR USE



IN-LINE CONNECTIONS TO ORDER
A pair of finger draw plates to aid closing
Reference 616A346



IP66
IP67



6-16 mm² (1)
10-25 mm² (2)



GRP



IK09



-40 °C
+60 °C



ATEX



2, 22



2 AUX. (3)

(1) Flexible wiring (min.-max.).
(2) Stranded wiring (min.-max.).
(3) Flexible wiring : 1 - 2,5 mm²,
stranded : 1,5 - 4 mm².

Other configurations on request.

Each socket-outlet or inlet must be associated with a box, a sleeve or a handle.

TEMPERATURE RATING	
Gas temperature classes	T5 for an ambient T° between -40 °C and +40 °C T4 for an ambient T° between -40 °C and +60 °C
Dust surface temperature classes	Surface T° ≤ 85 °C for an ambient T° between -40 °C and +40 °C Surface T° ≤ 105 °C for an ambient T° between -40 °C and +60 °C

STANDARDS	
International and European IEC/EN standards	61984, 60079-0, 60079-7, 60079-31
Type of protection	ec, tc

SOCKET-OUTLET female DXN6		INLET male DXN6	
20-24 V AC	2P	256408AMZ2	256808AMZ2
190-250 V AC	1P+N+E	2564015MZ2	2568015MZ2
380-440 V AC	3P+E	2564013MZ2	2568013MZ2
190-250 V AC 380-440 V AC	3P+N+E	2564017MZ2	2568017MZ2
480-500 V AC	3P+E	2564193MZ2	2568193MZ2
380-440 V AC 660-690 V AC	3P+N+E	2564197MZ2	2568197MZ2
440 V AC - Auxiliaries 16 A	+ 2 contacts	Ref. + 972MZ2	Ref. + 972MZ2

► Other currents, voltages, frequencies and contact configurations are available (see page 21).

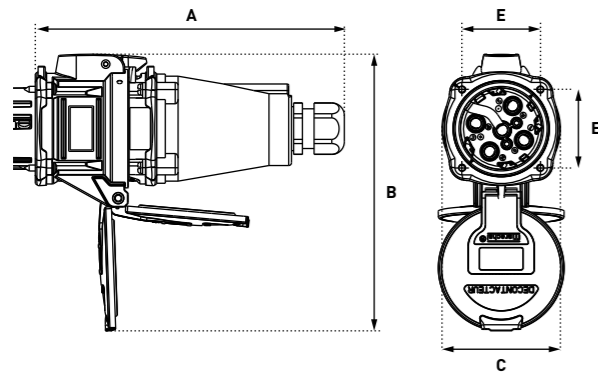
OPTIONS	Reference	WALL BOX	Incline angle	Input/Cable outer Ø	Reference
SAFETY HASP FOR UP TO 6 PADLOCKS					
	613A541		30°	12-18 mm	256AB53
INLET CAP IP66/IP67					
	256A426		30°	M25	256AB53418
SELF CLOSING/SELF RETURNING LID					
	Socket-outlet ref. + R		70°	10-14 mm	256AB8820P
COMPATIBILITY WITH DSN SOCKET-OUTLET (INDUSTRIAL RANGE)					
	Contact us.		70°	12-18 mm	256AB8825P
		160 X 160 mm	70°	16-25 mm	256AB8832P
			70°	22-32 mm	256AB8840P
WALL BOX POLY WITH METAL CABLE GLAND WITH EARTH CONTINUITY					
			70°	8-10 mm	256AB8820M
			70°	12-14 mm	256AB8825M
		160 X 160 mm	70°	18-24 mm	256AB8832M
WALL BOX POLY WITH TERMINAL BLOCKS (TF: MAR X 14.0001)					
			70°	10-14 mm	Contact us.
			70°	12-18 mm	Contact us.
		160 X 160 mm	70°	16-25 mm	Contact us.
			70°	22-32 mm	Contact us.

HANDLE	Cable outer Ø	Reference	SLEEVE	Incline angle	Reference
POLY HANDLE WITH GLAND EX POLY					
	10-14 mm	256A25320P		30°	256A027
	12-18 mm	256A753			
	16-25 mm	256A25332P		70°	256A757
	22-32 mm	256A25340P			
STRAIGHT POLY HANDLE WITH METAL CABLE GLAND WITH EARTH CONTINUITY					
	8-10 mm	256A25320M			
	12-14 mm	256A25325M			
	18-24 mm	256A25332M			

DRAWINGS AND DIMENSIONS

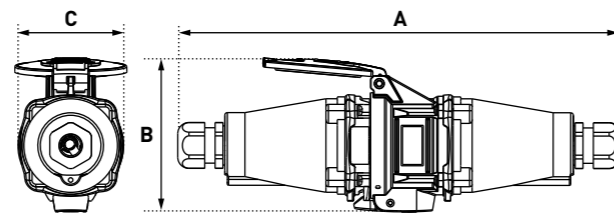

 DOWNLOAD THE DRAWINGS ON OUR WEBSITE marechal.com

PLUG ON SOCKET-OUTLET



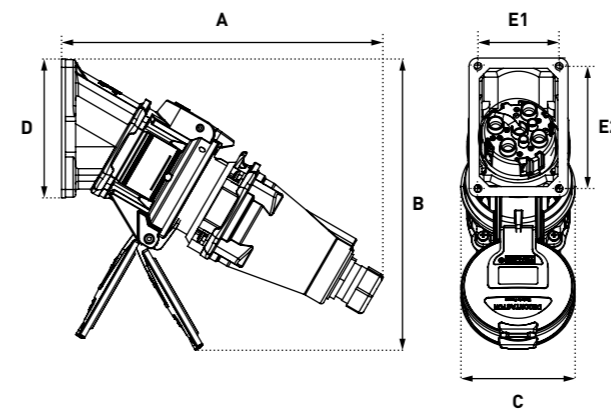
A	B	C	E
218	195	84	55

COUPLER



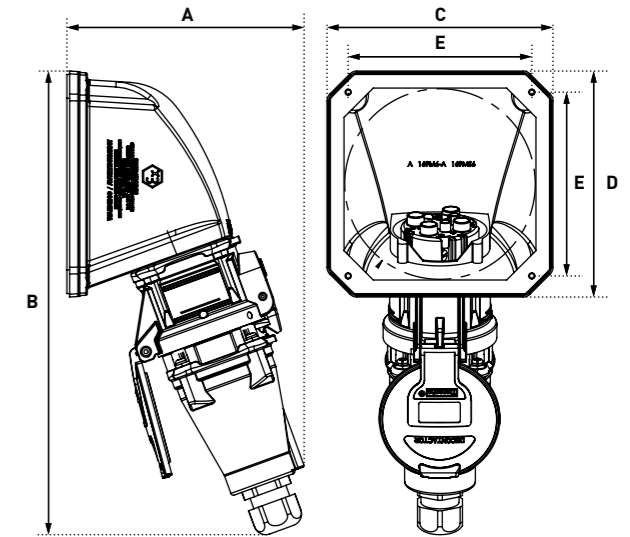
A	B	C
350	84	122

PLUG ON 30° INCLINED SOCKET-OUTLET



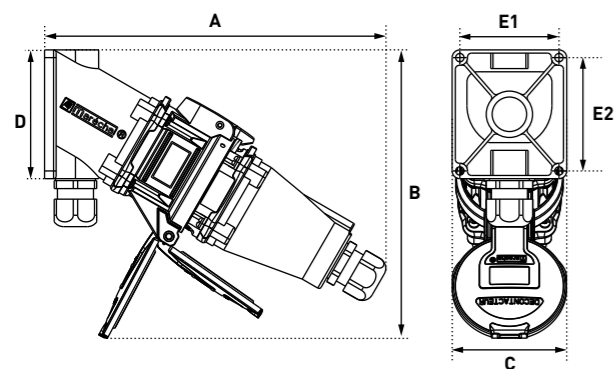
A	B	C	D	E1	E2
239	219	77	108	64	96

PLUG ON 70° INCLINED SOCKET-OUTLET



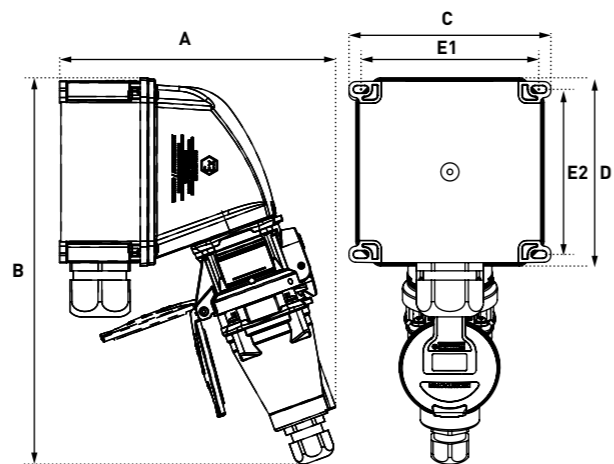
A	B	C	D	E
175	341	166	166	135

PLUG ON 30° WALL MOUNTED SOCKET-OUTLET



A	B	C	D	E1	E2
265	225	89	100	77	89

PLUG ON 70° WALL-MOUNTED SOCKET-OUTLET



A	B	C	D	E1	E2
244	341	175	166	157	145.5

