

SJTH-AISI 316 MANIFOLD



Compressed air supply manifold for demanding conditions and various purpose of use.

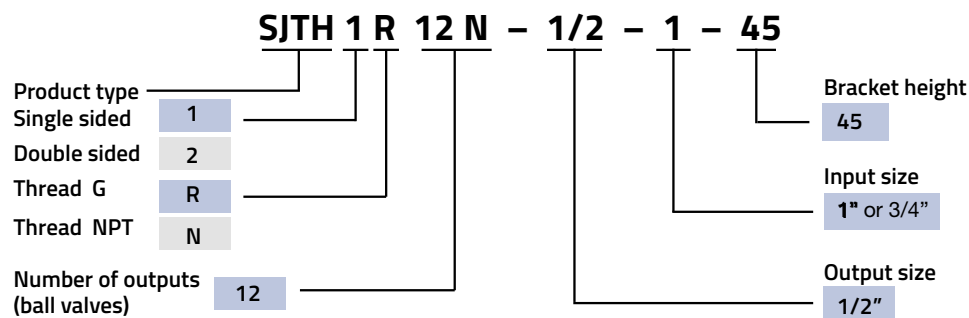
Material is AISI 316 Acid proof steel and the manifold is available with different number of outputs. The ball valve handles can be locked (hole diameter 6mm) with padlock or safety hasp during maintenance for safety purposes.



TECHNICAL DATA

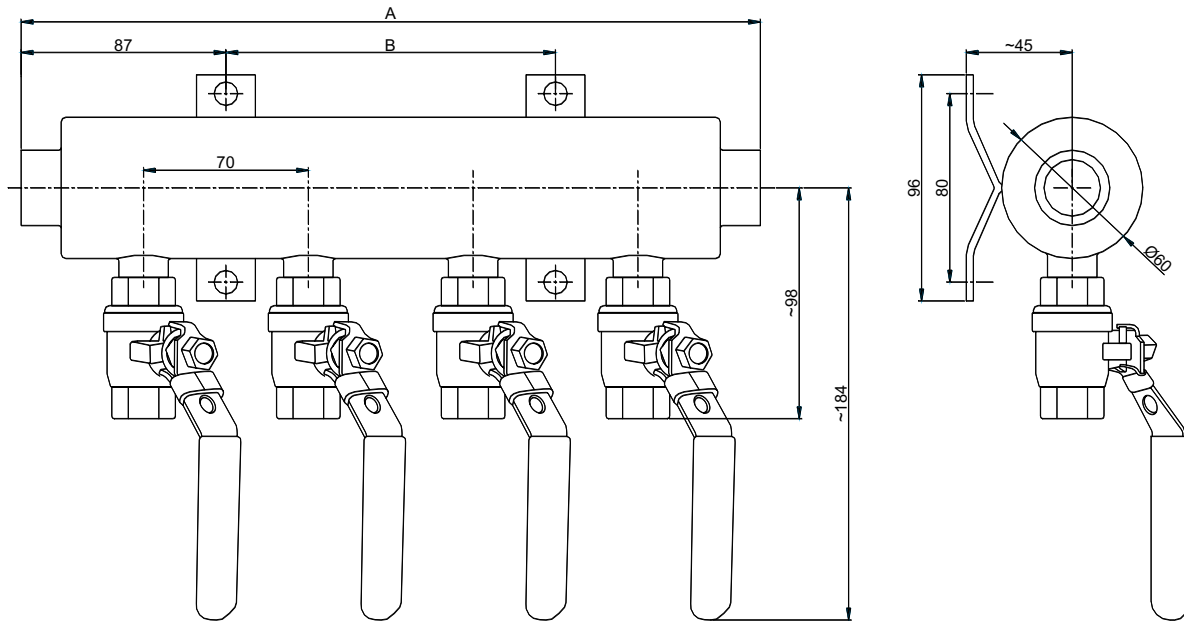
Suitable fluids	Dry or lubricated air or gas and fluids
Input	Basic 1" option 3/4" G or NPT
Outputs	1/2" G or NPT
Number of outputs	4, 6, 8, 10, 12
Temperature range	-40°C ... +90°C
Operating pressure	Max. 16 bar
Material	AISI 316

TYPE CODING



Example: Manifold **SJTH**, 1-sided, **G**-thread, **12** outputs/manual shut-off **N**, **1/2"** output size, **1"** input size, bracket height **45 mm**

DIMENSIONS



Number of outputs / pcs	4	6	8	10	12
Length (A)	314	454	594	734	874
Spacing of mounting holes (B)	140	280	420	560	700

Also other dimensions are possible