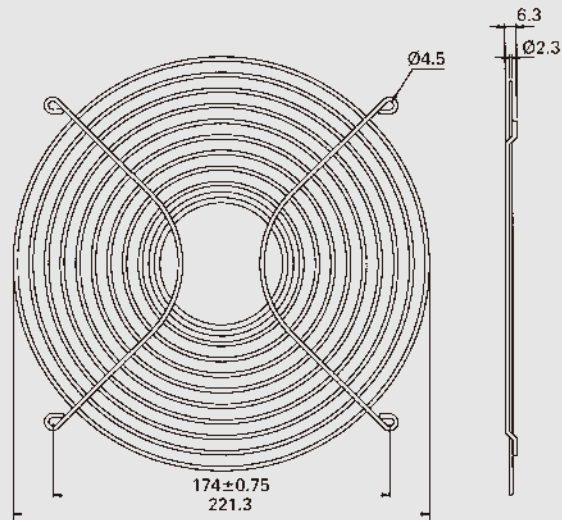
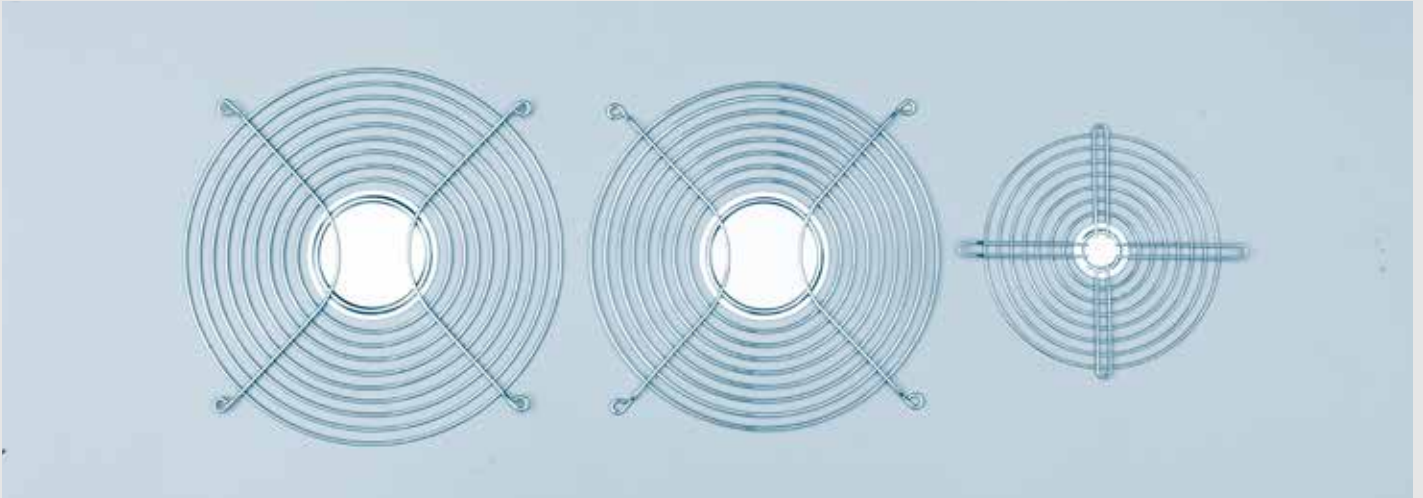


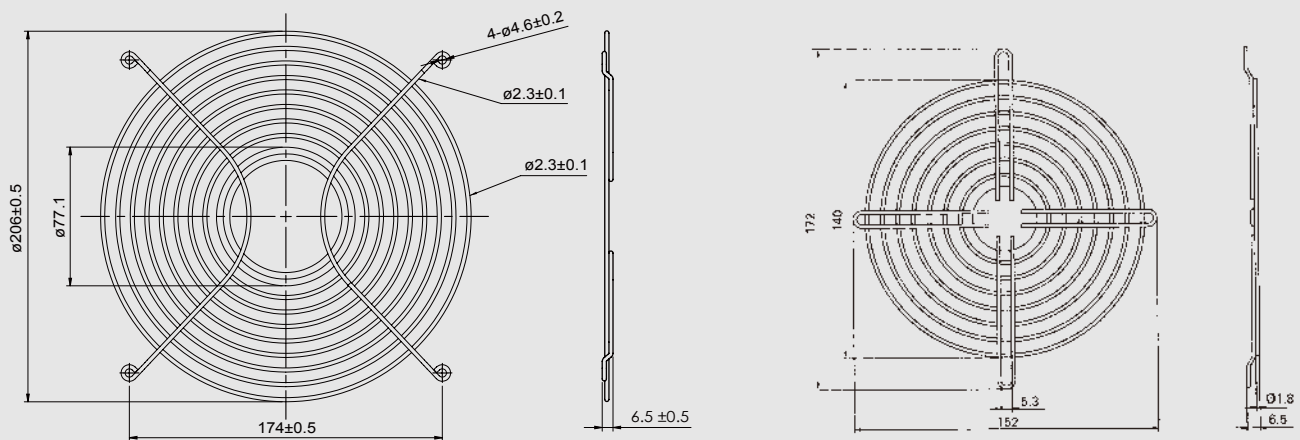
# ACCESSORIES

## Fan Guard

Unit: mm



MG-25 (For UF25HC, 25GC, 25GCA, 25GCB Series)  
\*Steel



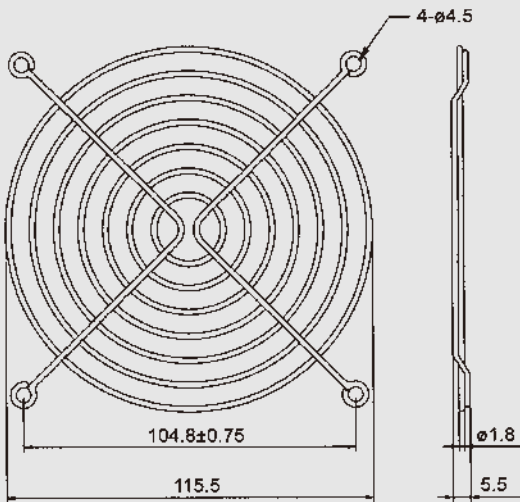
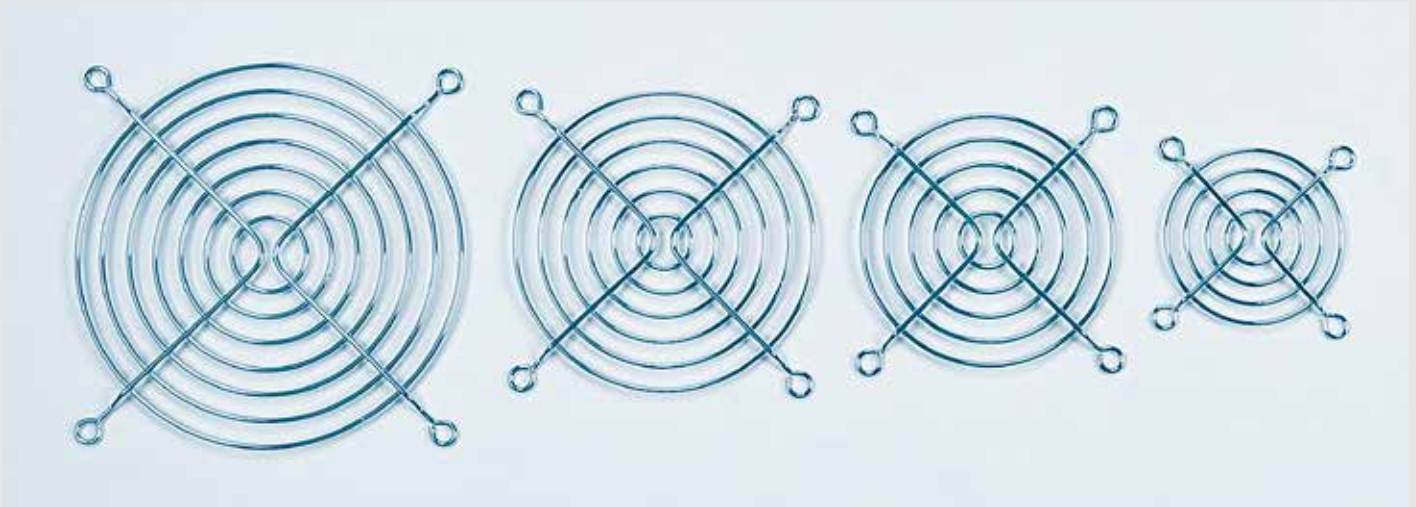
MG-20 (For UF20TC, 20JC Series)  
\*Steel

MG-15 (For UF15P, 17P, 15PC, 15KC, 17PC, 15AC Series)  
\*Steel

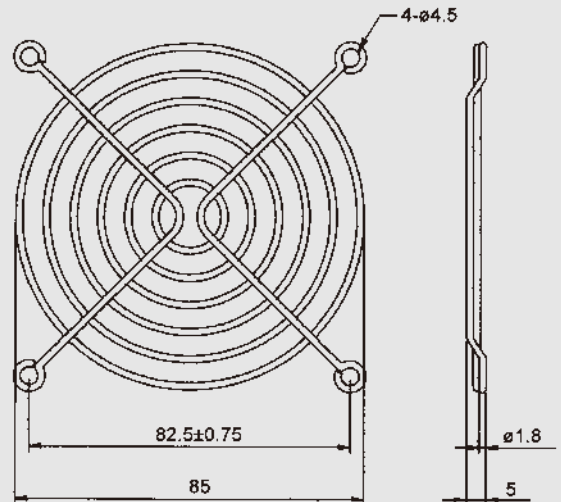
\* Dimensions of fan guards are only for reference, for details please send your inquiry.

## Fan Guard

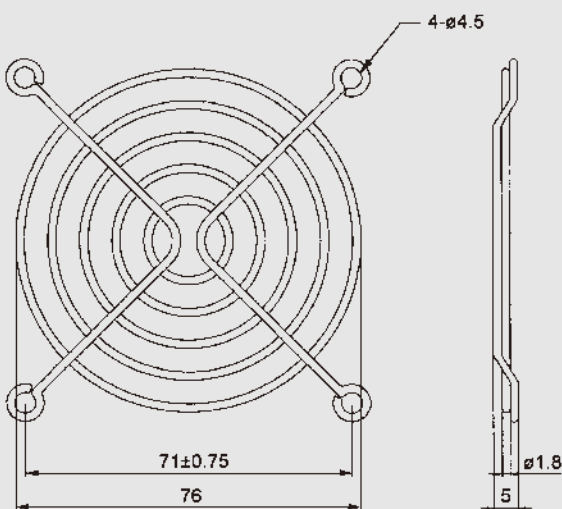
Unit: mm



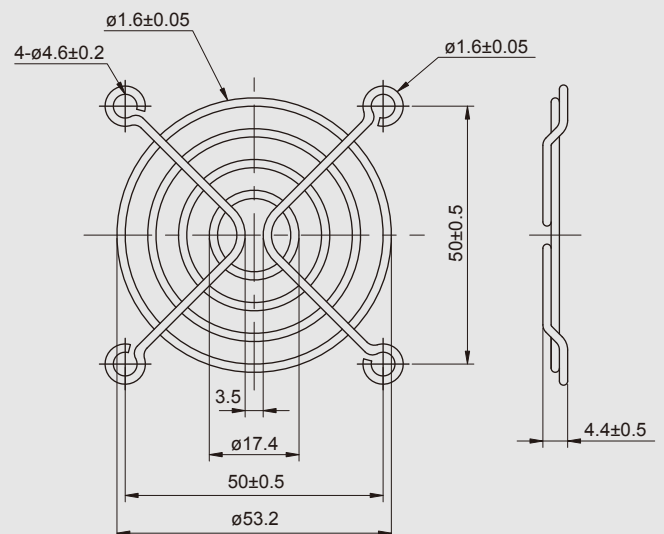
MG-12 (For UF12A, 12B Series)  
\*Steel



MG-92 (For UF92A, 92AM, 92B Series)  
\*Steel



MG-80 (For UF80A, 80B Series)  
\*Steel



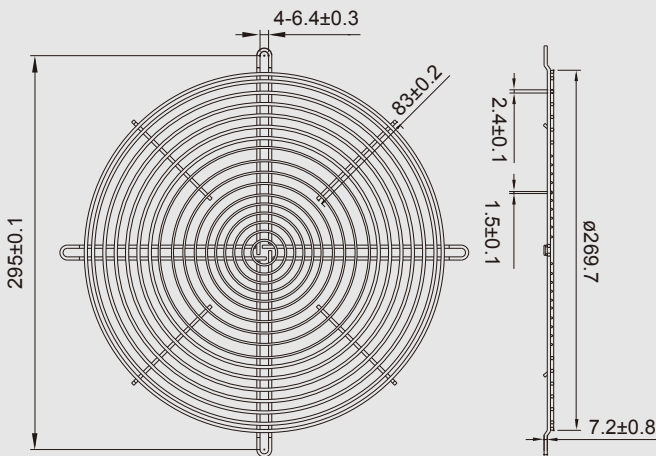
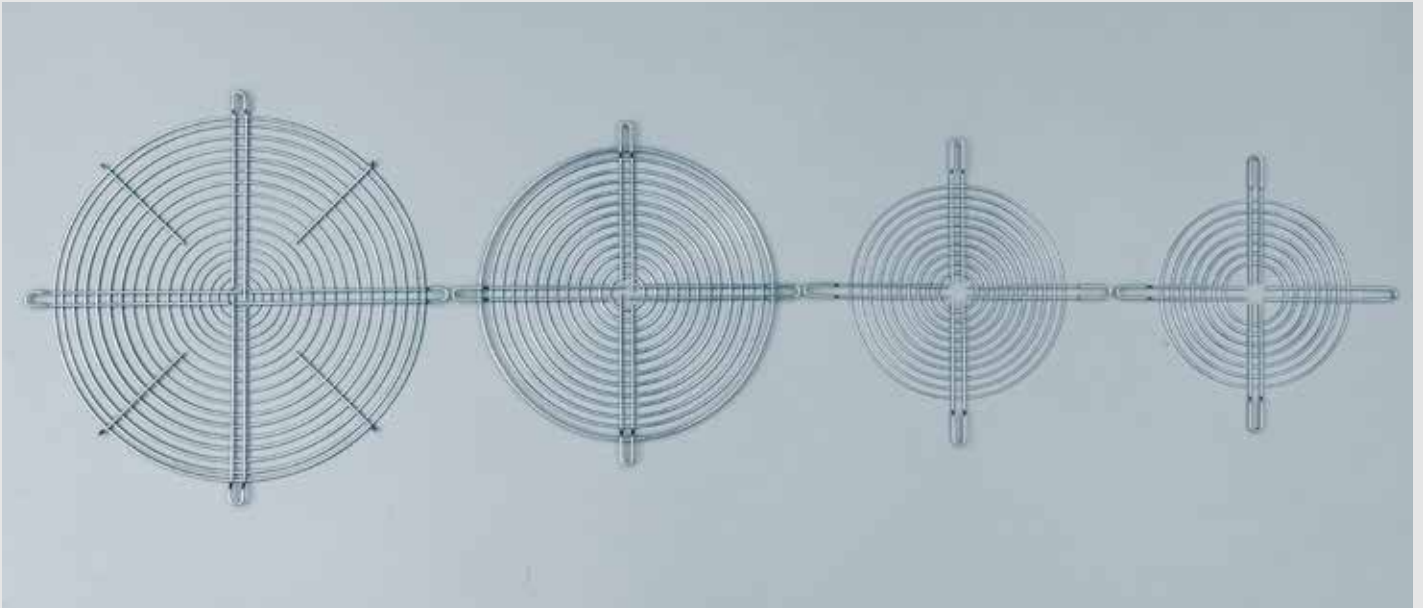
MG-60 (For UF60D Series)  
\*Steel

\* Dimensions of fan guards are only for reference, for details please send your inquiry.

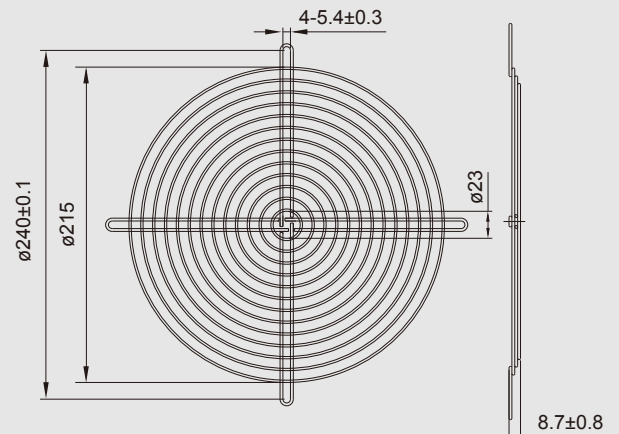
# ACCESSORIES

## Fan Guard

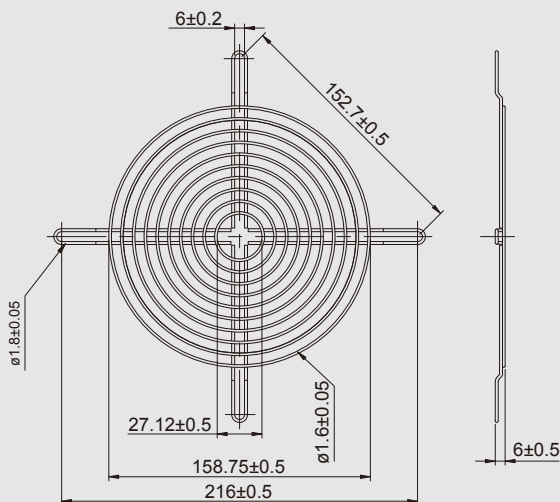
Unit: mm



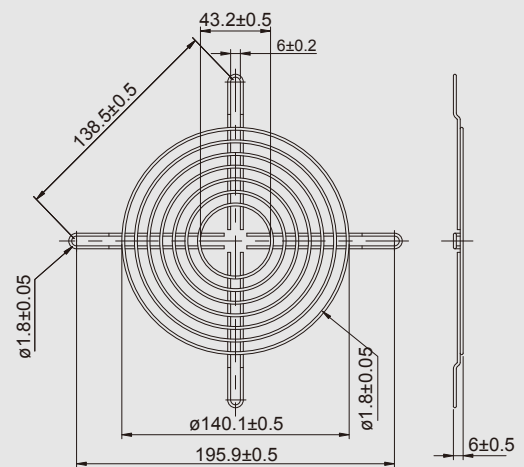
MG-250 (For UF250BMB Series)  
\*Steel



MG-200 (For UF200BMB, T200BMB, T200BPB Series)  
\*Steel



MG-18 (For UF18JC Series)  
\*Steel

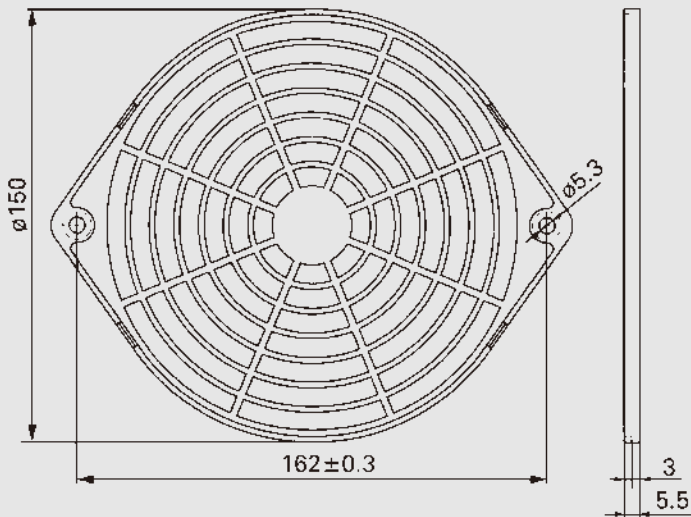
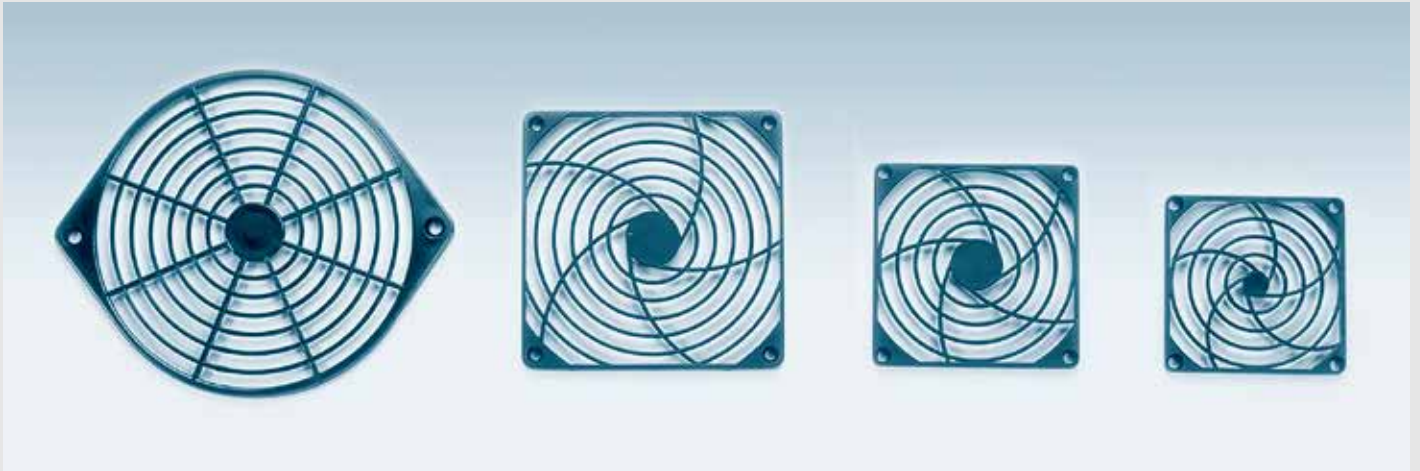


MG-16 (For UF16FC Series)  
\*Steel

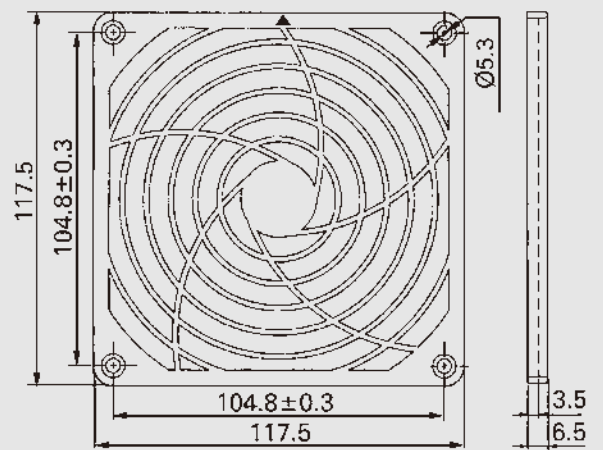
\* Dimensions of fan guards are only for reference, for details please send your inquiry.

## Plastic Guard (PC)

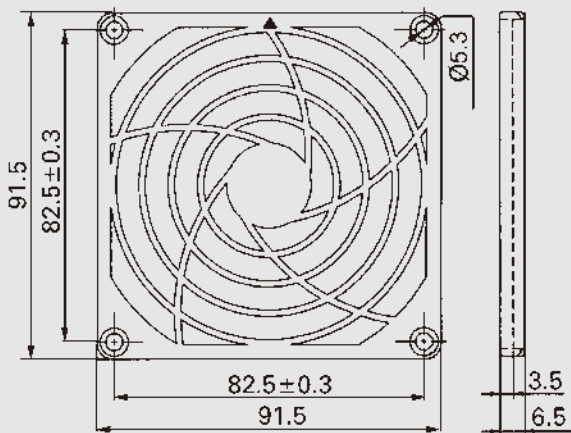
Unit: mm



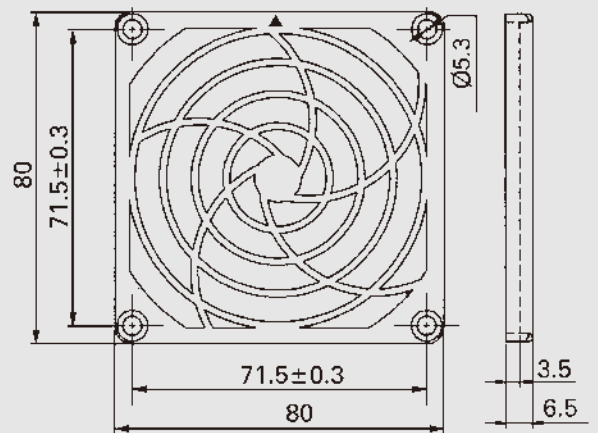
PG-15 (For UF15P, 17P, 15PC,  
17PC, 15AC, 15KC Series)  
\*Plastic



PG-12 (For UF12A, 12B Series)  
\*Plastic



PG-92 (For UF92A, 92AM, 92B Series)  
\*Plastic



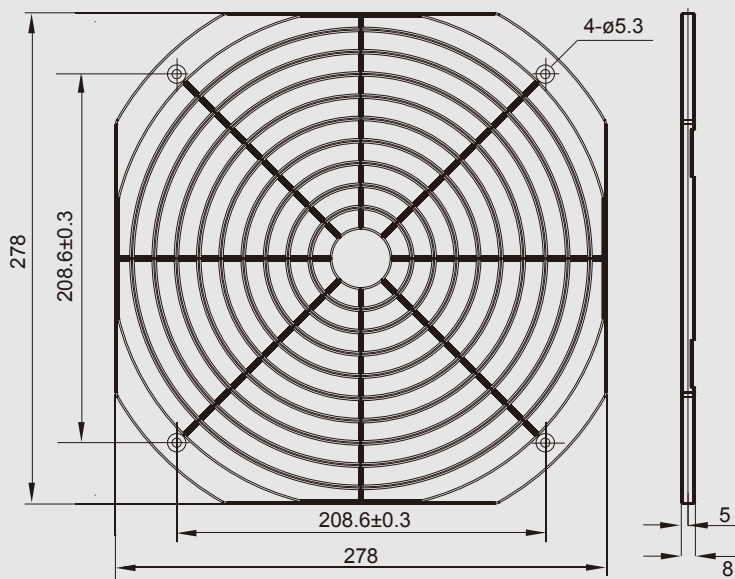
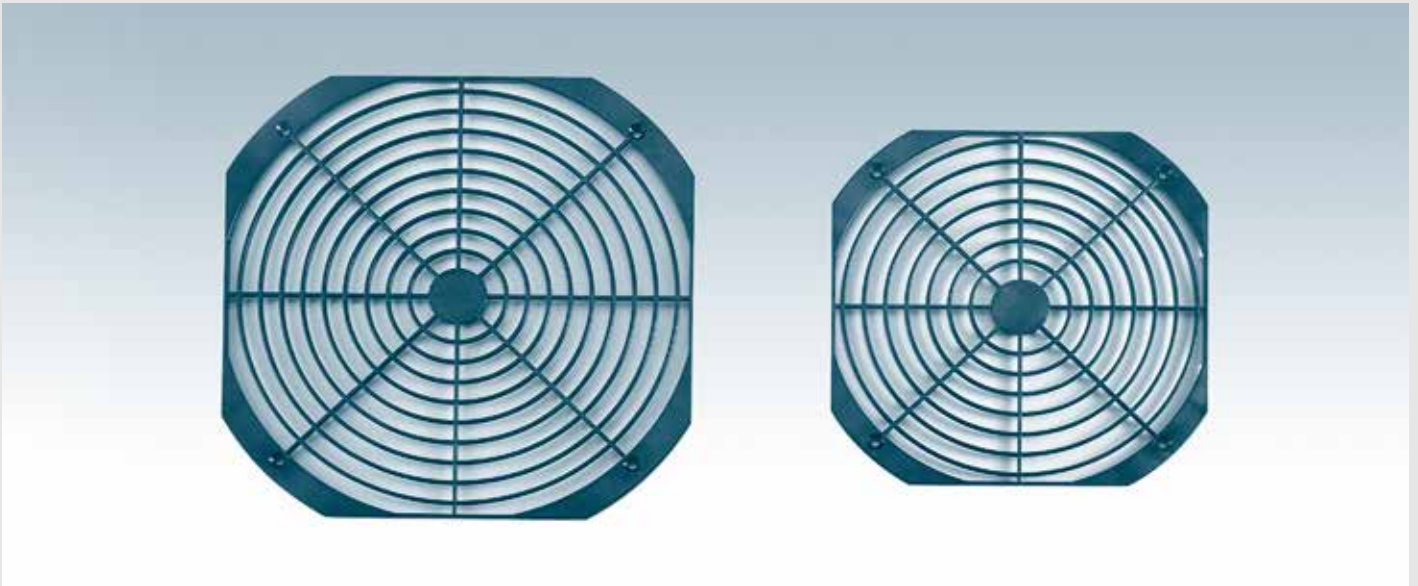
PG-80 (For UF80A, 80B Series)  
\*Plastic

\* Dimensions of fan guards are only for reference, for details please send your inquiry.

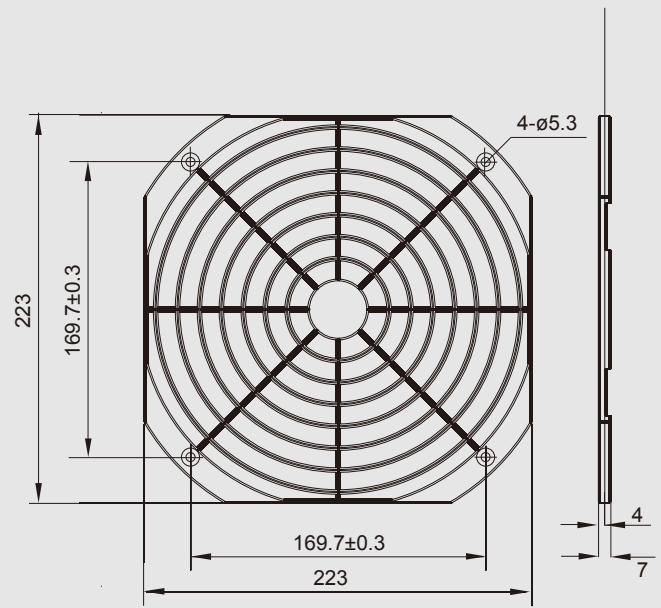
# ACCESSORIES

## Plastic Guard (PC)

Unit: mm



PG-250B (For UF250BMB)  
\*Plastic

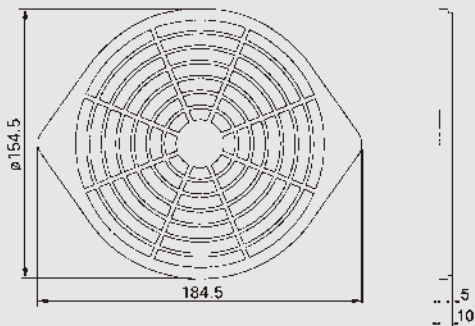
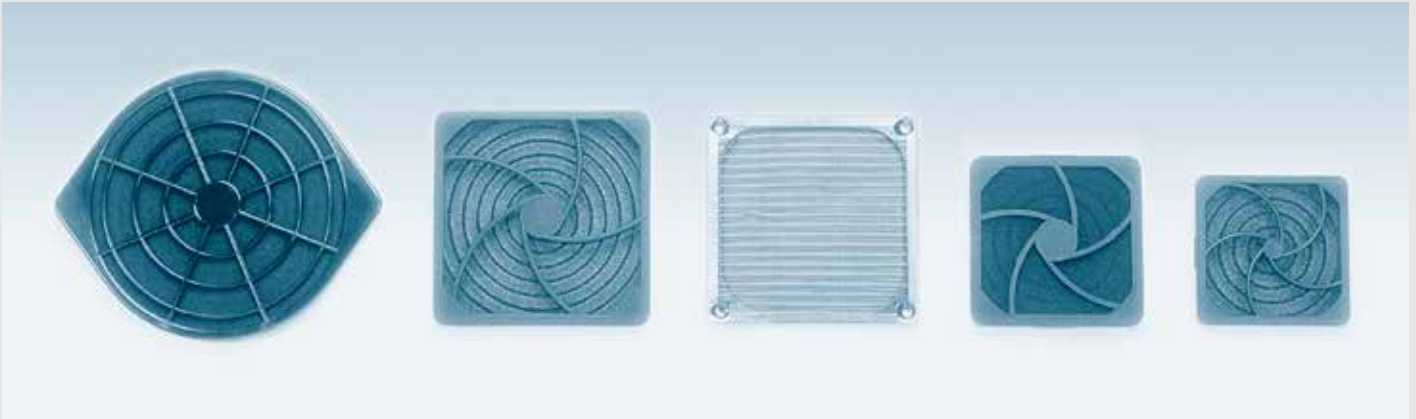


PG-200B (For UF200BMB)  
\*Plastic

\* Dimensions of fan guards are only for reference, for details please send your inquiry.

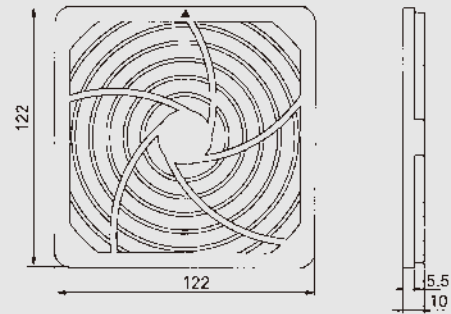
## Fan Filter (PC)

Unit: mm



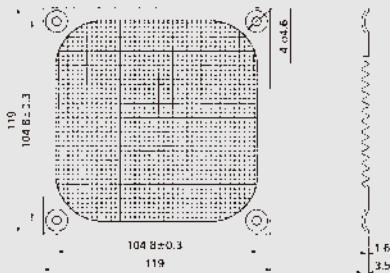
PFG-15 (For UF15P, 17P, 15PC, 17PC, 15AC, 15KC Series)

\*Plastic



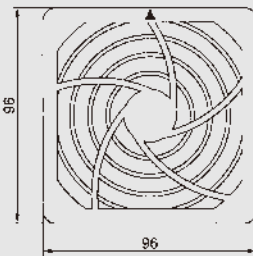
PFG-12 (For UF12A, 12B Series)

\*Plastic



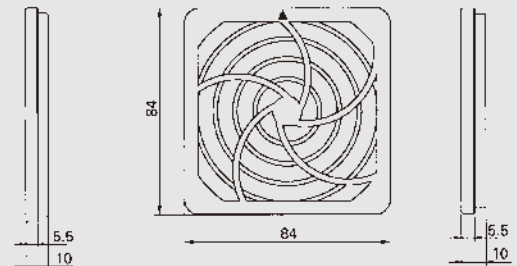
MSG-12 (For UF12A, 12B Series)

\*Stainless



PFG-92 (For UF92A, 92AM, 92B Series)

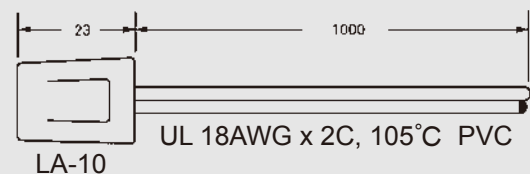
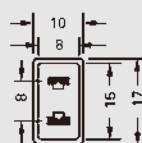
\*Plastic



PFG-80 (For UF80A, 80B Series)

\*Plastic

## Plug Cords



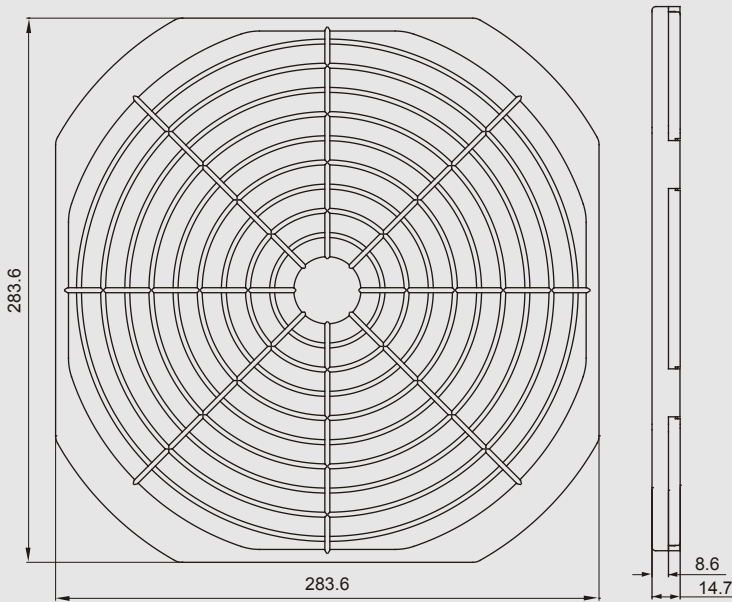
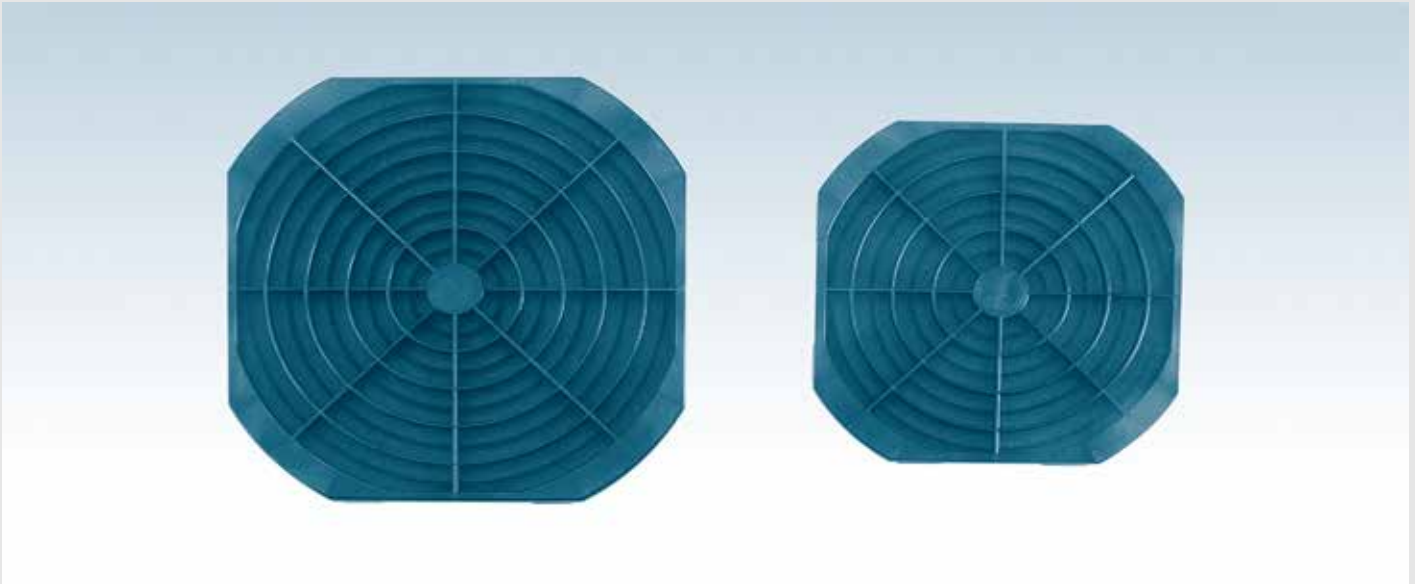
LA-10

\* Dimensions of fan guards are only for reference, for details please send your inquiry.

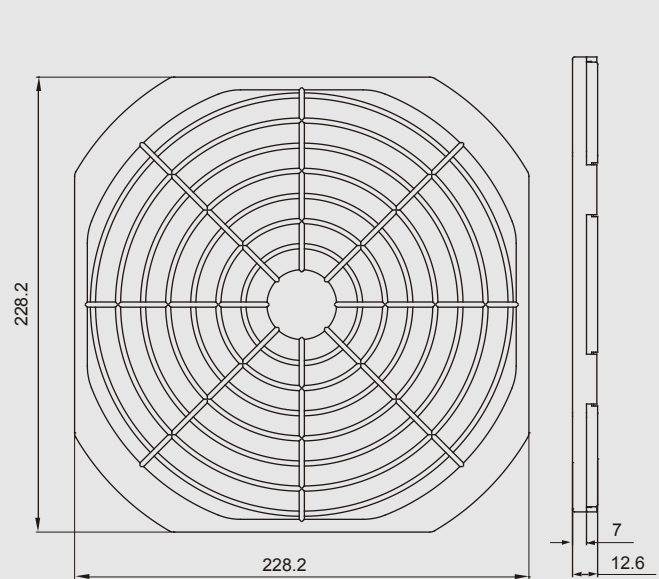
# ACCESSORIES

## Fan Filter (PC)

Unit: mm



PFG-250B (For 250BMB)  
\*Plastic

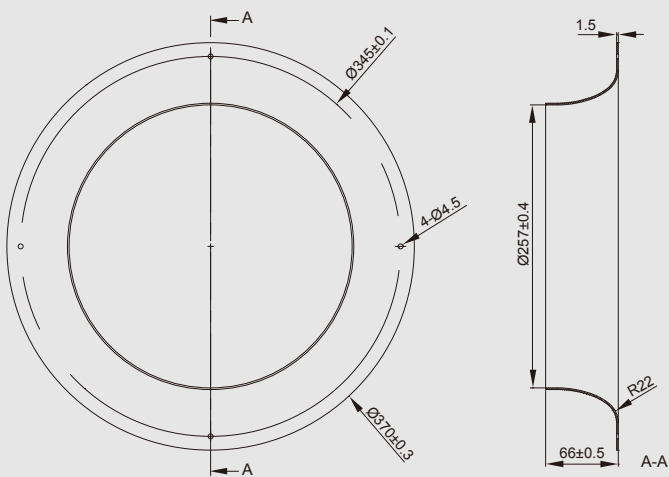


PFG-200B (For 200BMB)  
\*Plastic

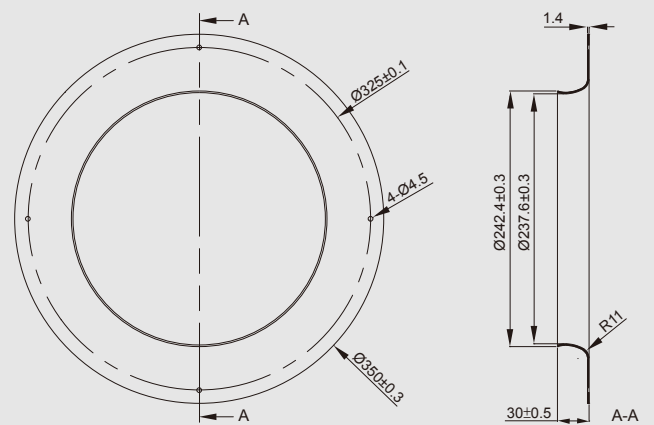
\* Dimensions of fan guards are only for reference, for details please send your inquiry.

## Duct Ring (for Centrifugal Fan)

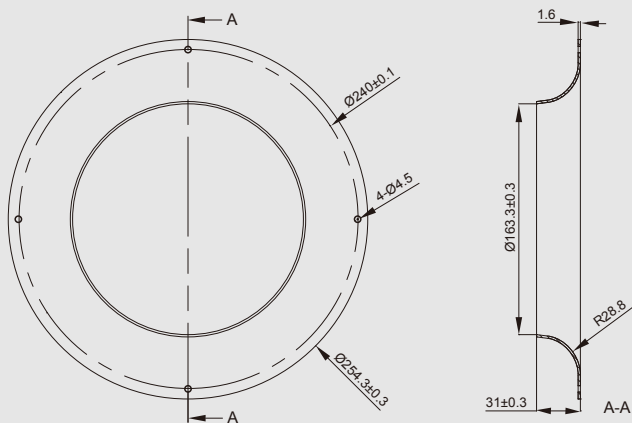
Unit: mm



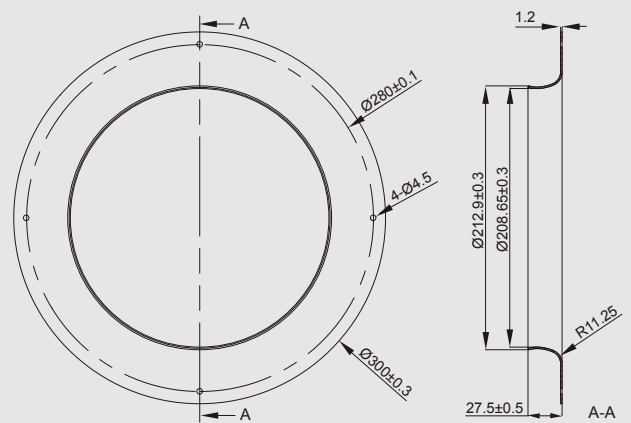
400A (For UF400AAA)  
\*Galvanized Steel



360A (For UF360AAA)  
\*Galvanized Steel



250A (For UF250APA)  
\*Galvanized Steel



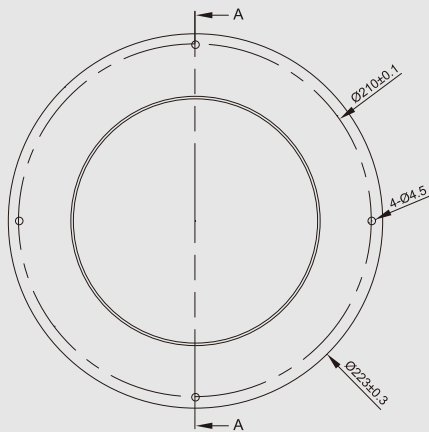
318A (For UF318AAA)  
\*Galvanized Steel

\* Dimensions of fan guards are only for reference, for details please send your inquiry.

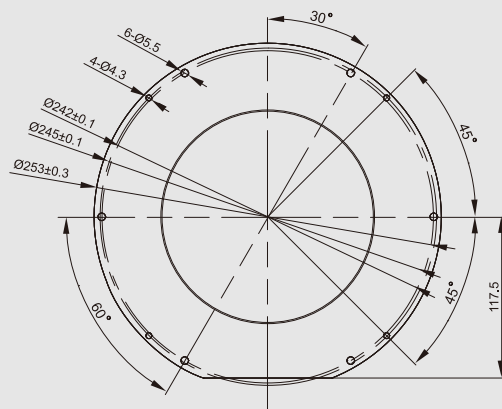
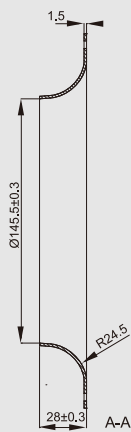
# ACCESSORIES

## Duct Ring (for Centrifugal Fan)

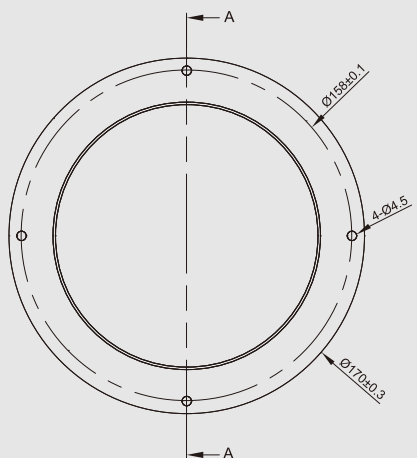
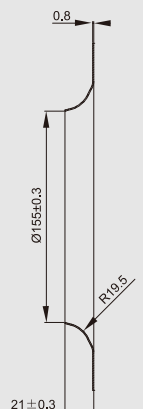
Unit: mm



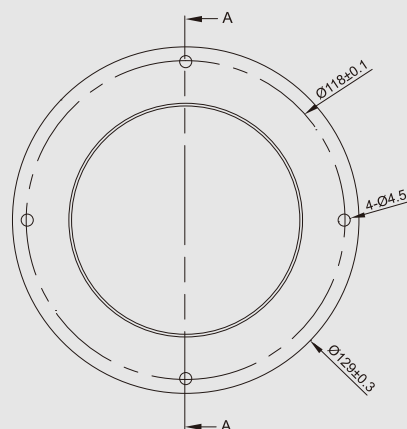
225A (For UF225 Series)  
\*Galvanized Steel



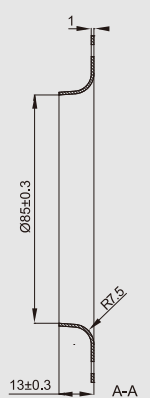
220A (For UF220APA)  
\*Galvanized Steel



190A (For UF190APA, UF180APA and UF175AMA)  
\*Galvanized Steel



133A (For UF133APA)  
\*Galvanized Steel



\* Dimensions of fan guards are only for reference, for details please send your inquiry.